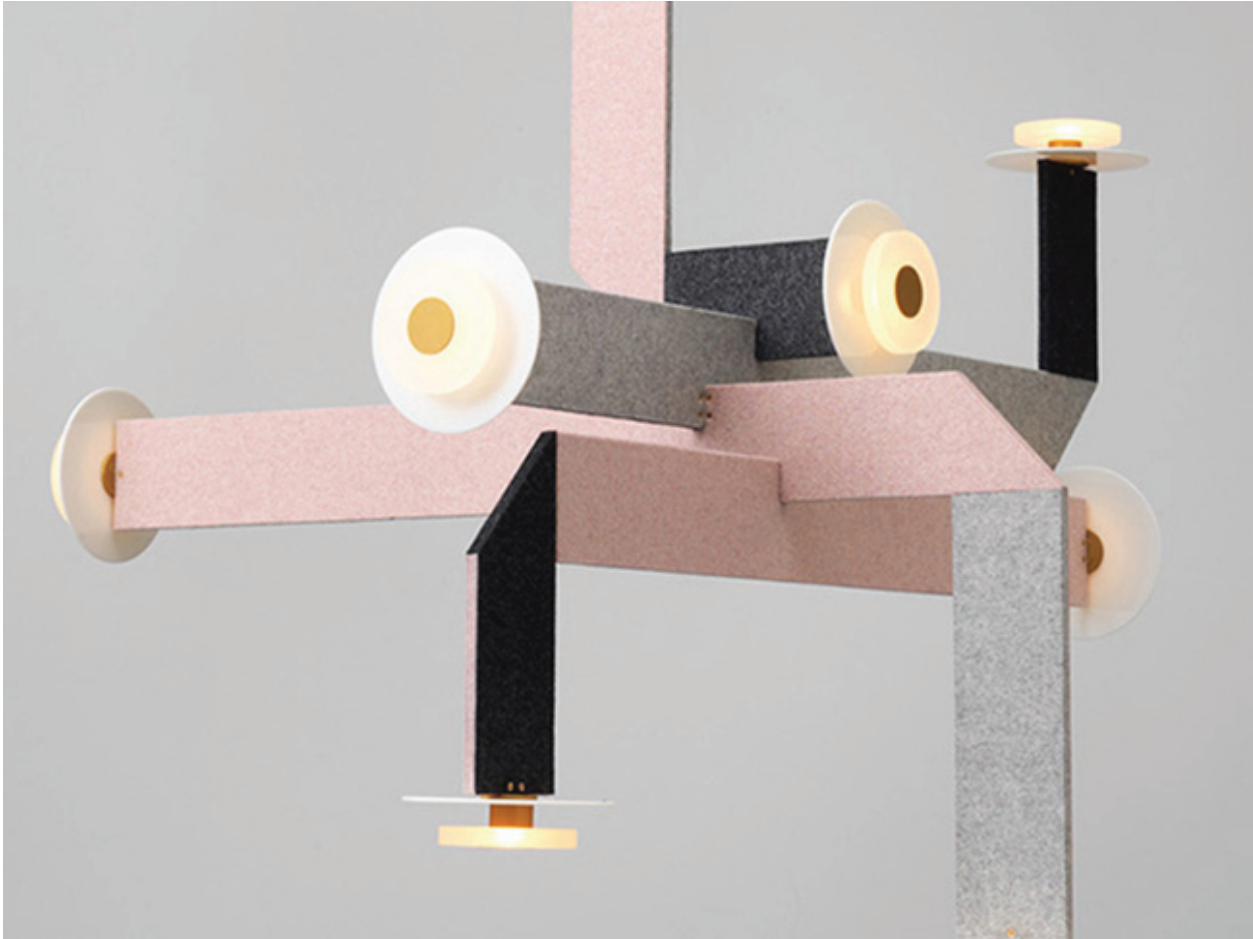


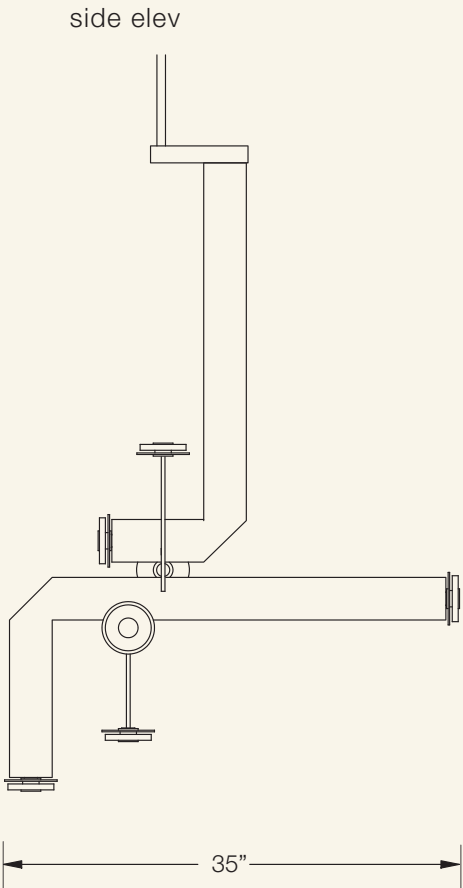
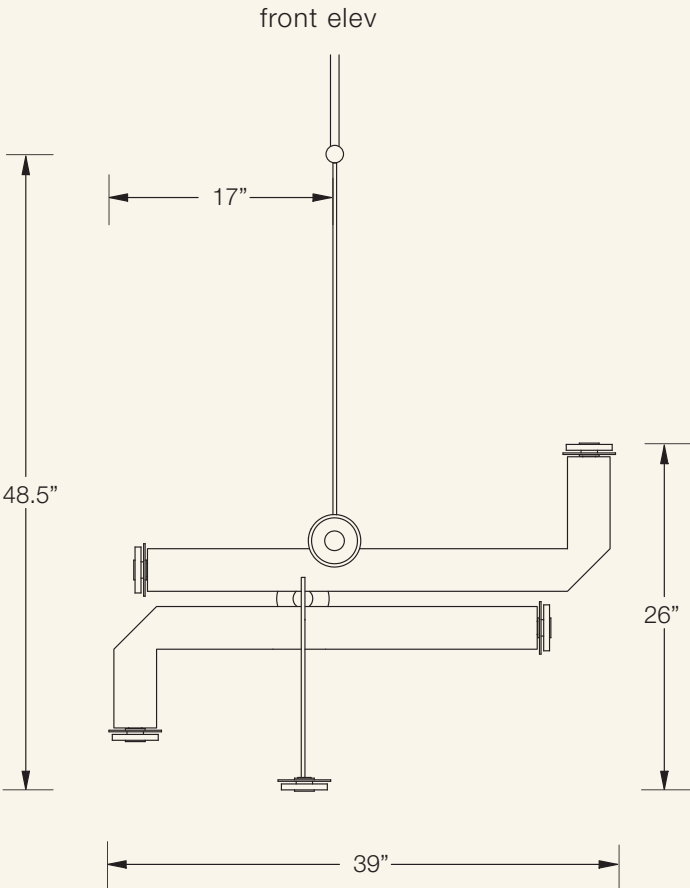
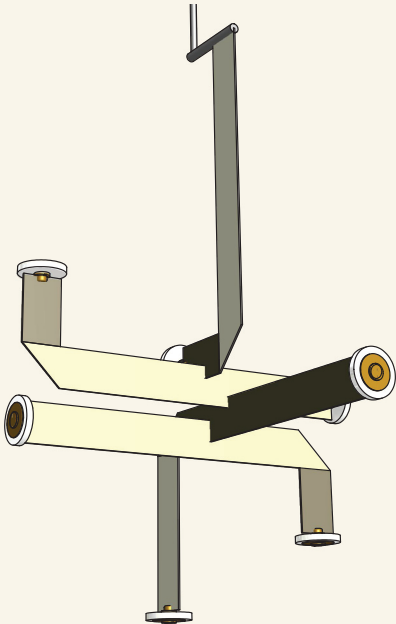
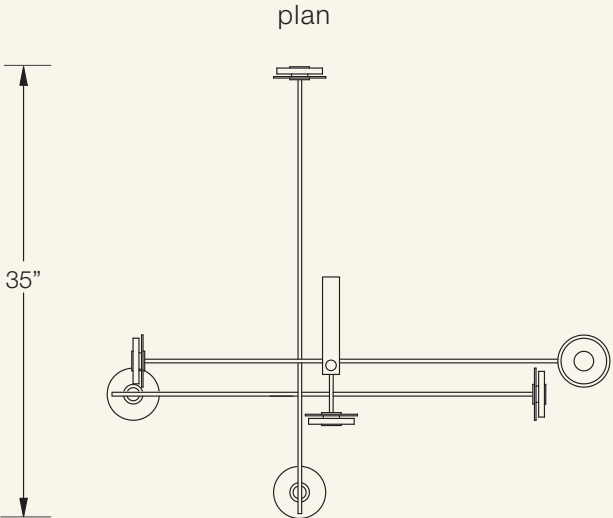
CROSS

cross is a series of interlocking flat bands balanced at right angles. The graphic geometry is offset by felt fabric surfaces. Available in a broad color range with white or colored glass diffusion discs.

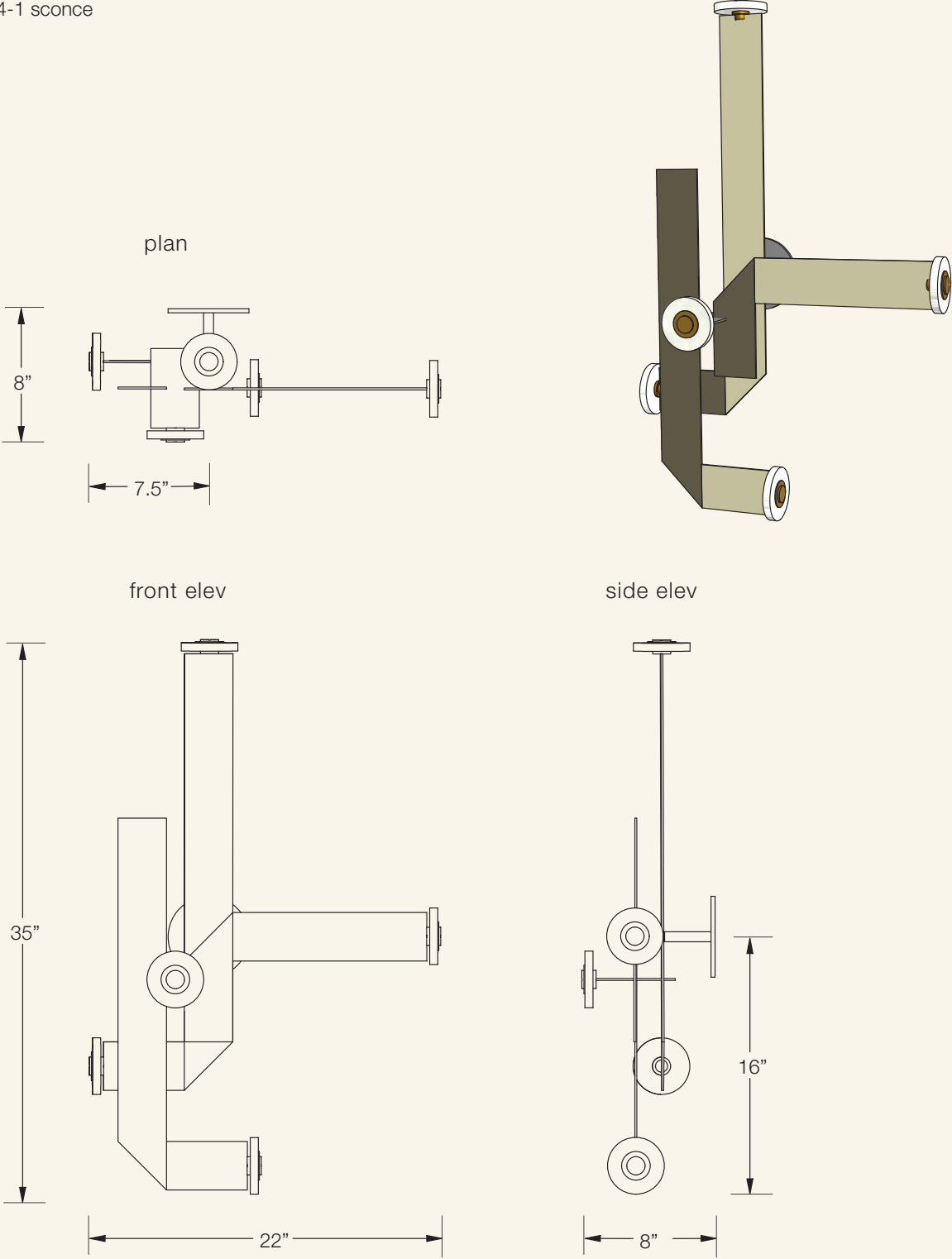


- dimensions..... Sizes of configurations are shown on the following pages.
- material..... Structure of felt covered aluminum with white or colored glass disc diffusers.
- finish..... Fabric surface in Maharam Divina. Divina MD, and Divina Melange lines in 132 colors.
- lamping..... 4w Cree CoB chip at 2700K or 3000K color temperature.
- power..... 120-277V electronic dimmable driver. dimming by 0-10v and/or forward phase, depending on the number of light sources. Driver is housed in a canopy enclosure mounted at the ceiling, or remotely.
- custom..... All configurations can be customized in size and form. Changes to the scale of the parts are also possible with longer lead times.

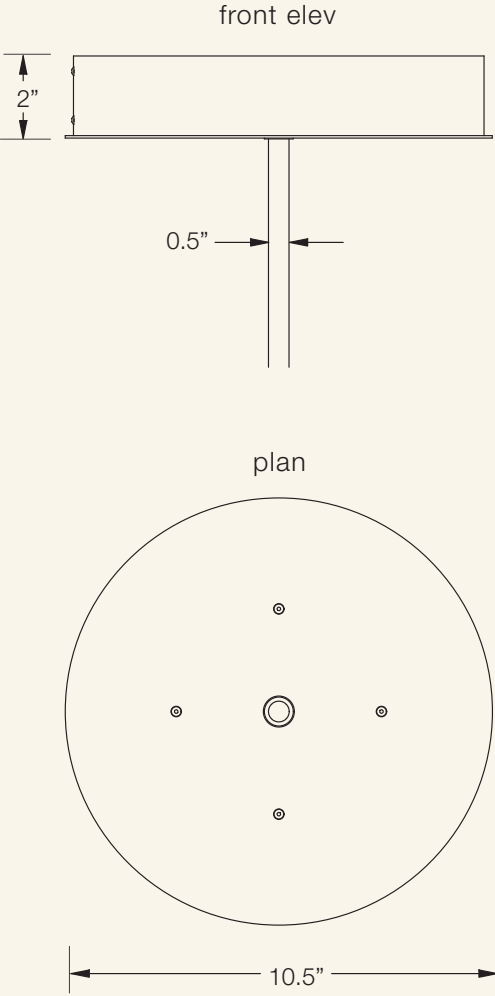
cross-6.1 chandelier



cross-4-1 sconce

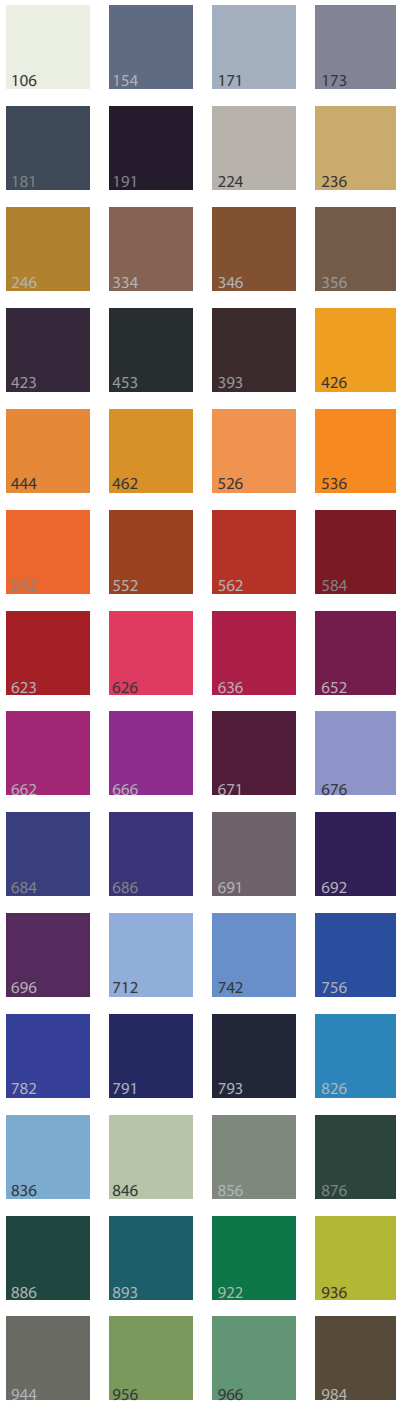


standard canopy
with enclosed driver



cross fixtures are available in Maharam Divina, Divina MD, and Divina Melange lines in 132 colors. See www.maharam.com for more information and samples.

divina



divina melange



divina MD



The aluminum hardware on **CROSS** comes in an anodized or plated finish. Standard colors are shown here and others are available on request.

