

# meta-9

**meta** is a wall mounted series of tetrahedrons that can take many shapes and sizes.

LED lit glass tubes are arranged in perpendicularity by connecting rods. The rods slot into the ends of the light tubes to create visually compelling geometric arrangements.



dimensions..... a range of sizes are possible, dimensions for various configurations are on following pages. projection off the wall is 12"

material..... structure of aluminum with frosted glass diffusion tubes.

finish..... satin or brushed anodized aluminum in standard colors of black, bronze, brass or silver. custom anodized colors are also available.

lamping..... (9) 4w Cree CoB chip at 2700K or 3000K color temperature.

power..... 120-240V electronic dimmable transformer. power to fixture is by low voltage cable. power supply is remote and not integral to the fixture- an external enclosure can be supplied or built into the wall.

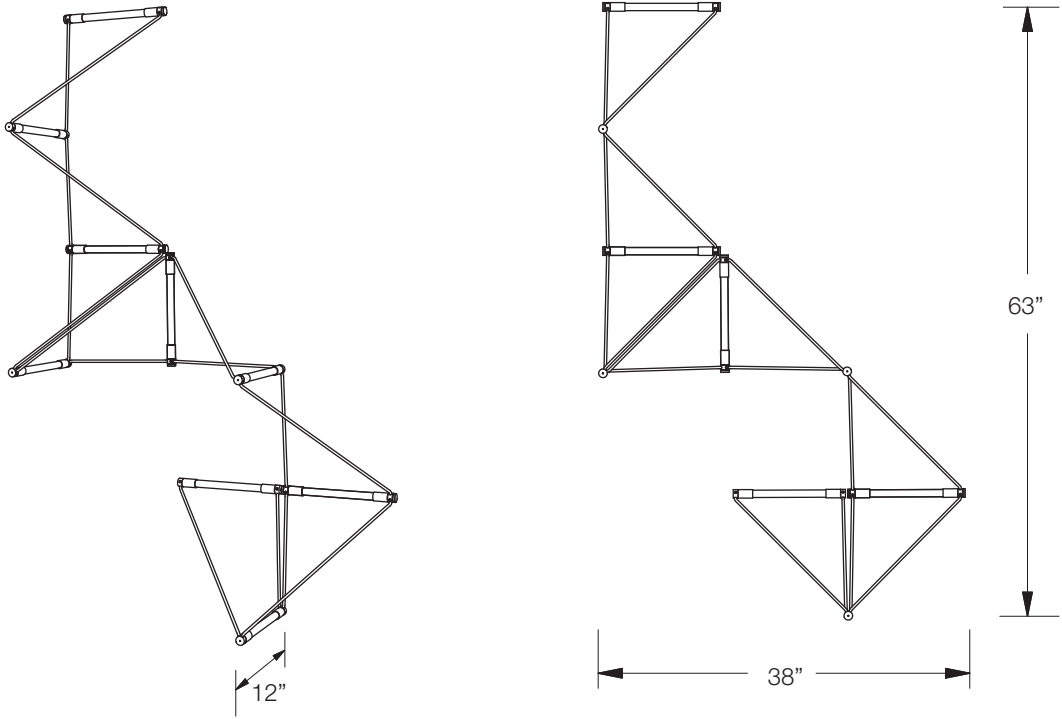
mounting..... (4) brackets for attachment to wall with screws.

pricing..... list \$12000, net \$9600 as shown.

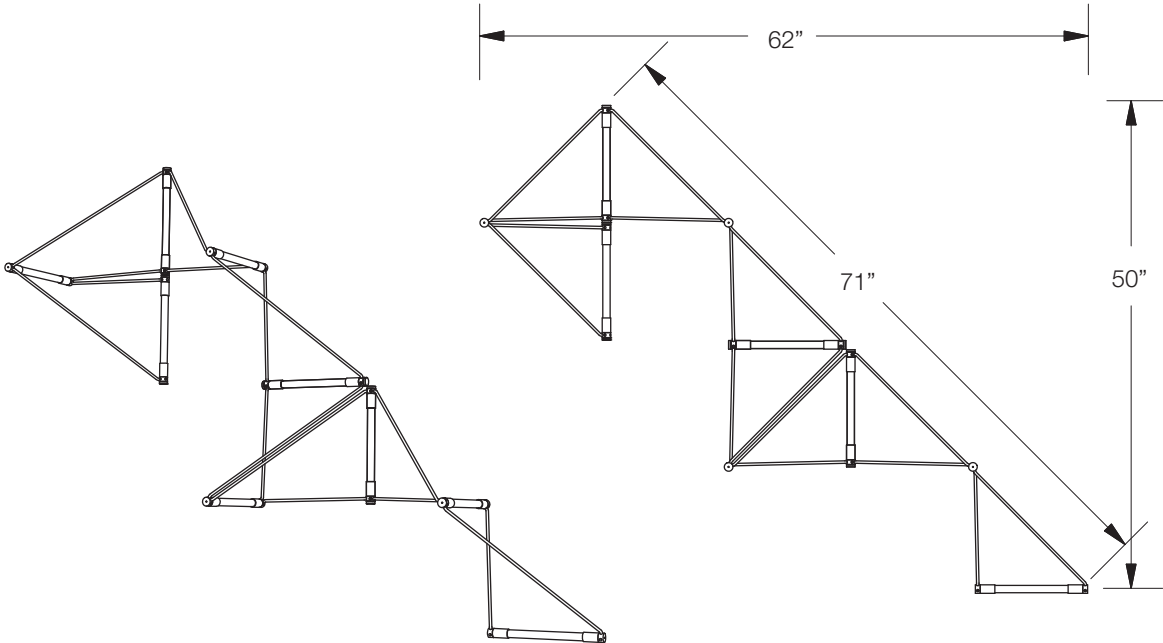
# meta-9

**meta** can be fixed in many configurations. The following sheets give numbered examples for reference and clarity in instances where installation is by contractor. We will ship in a partially assembled state to eliminate confusion on site. All meta fixtures can be assembled in any of the configurations shown as well as others not illustrated. "Up" orientation can be in any direction.

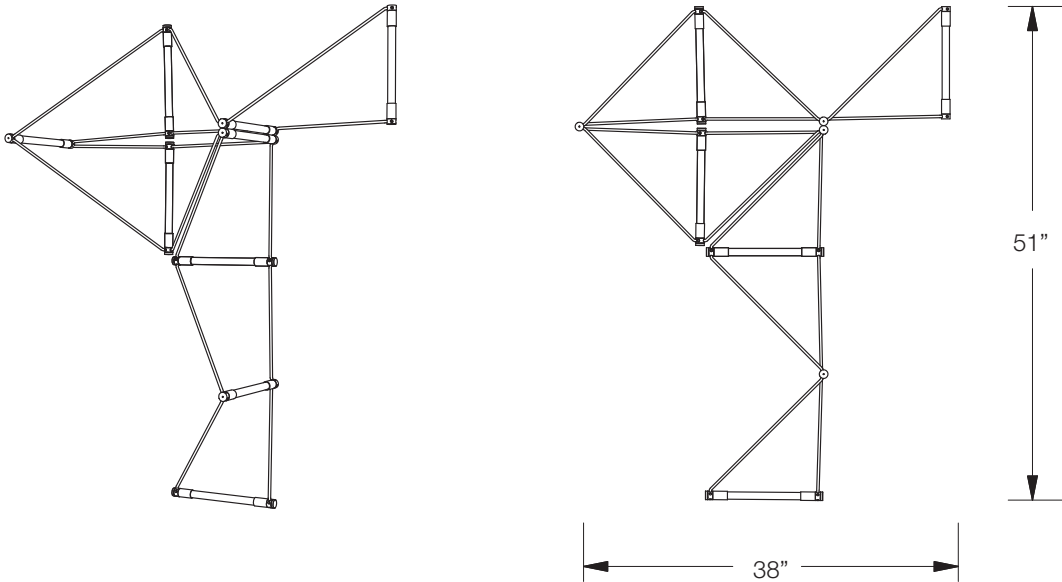
meta-9.1



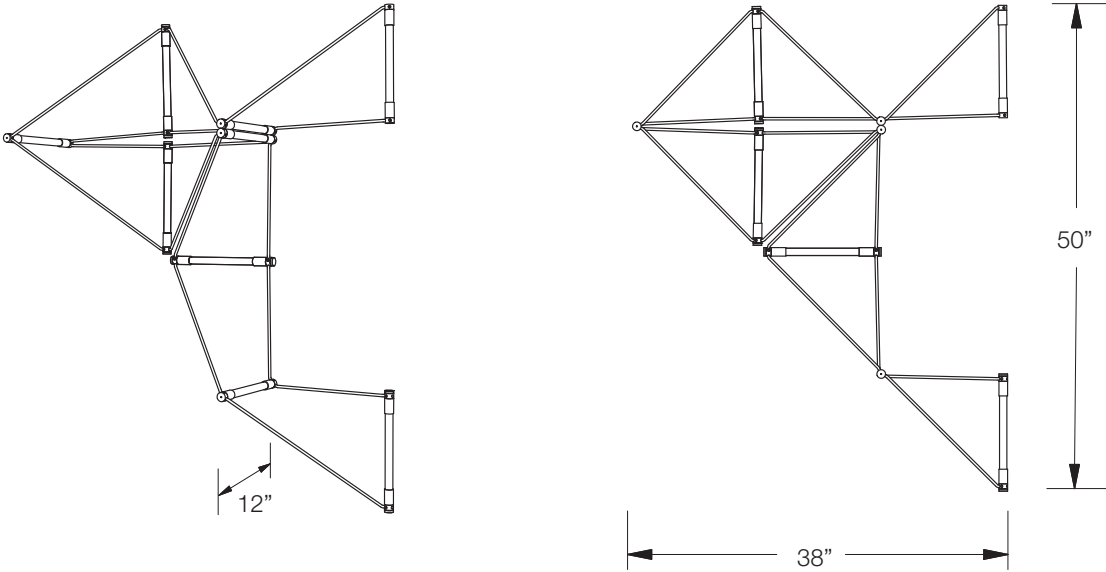
meta-9.2



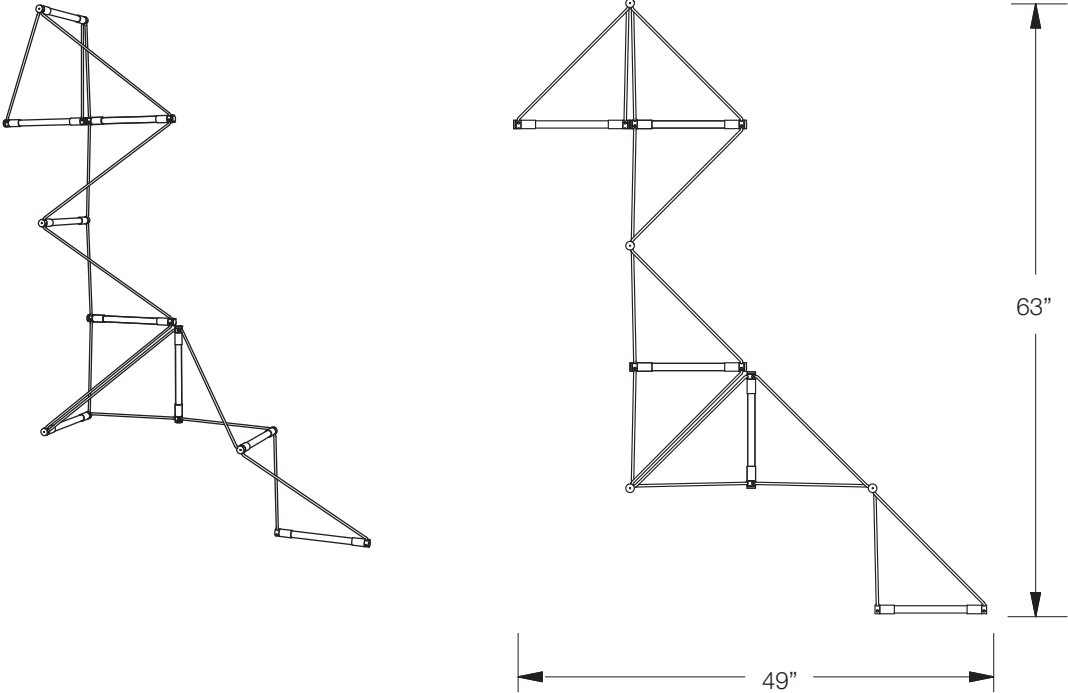
meta-9.3



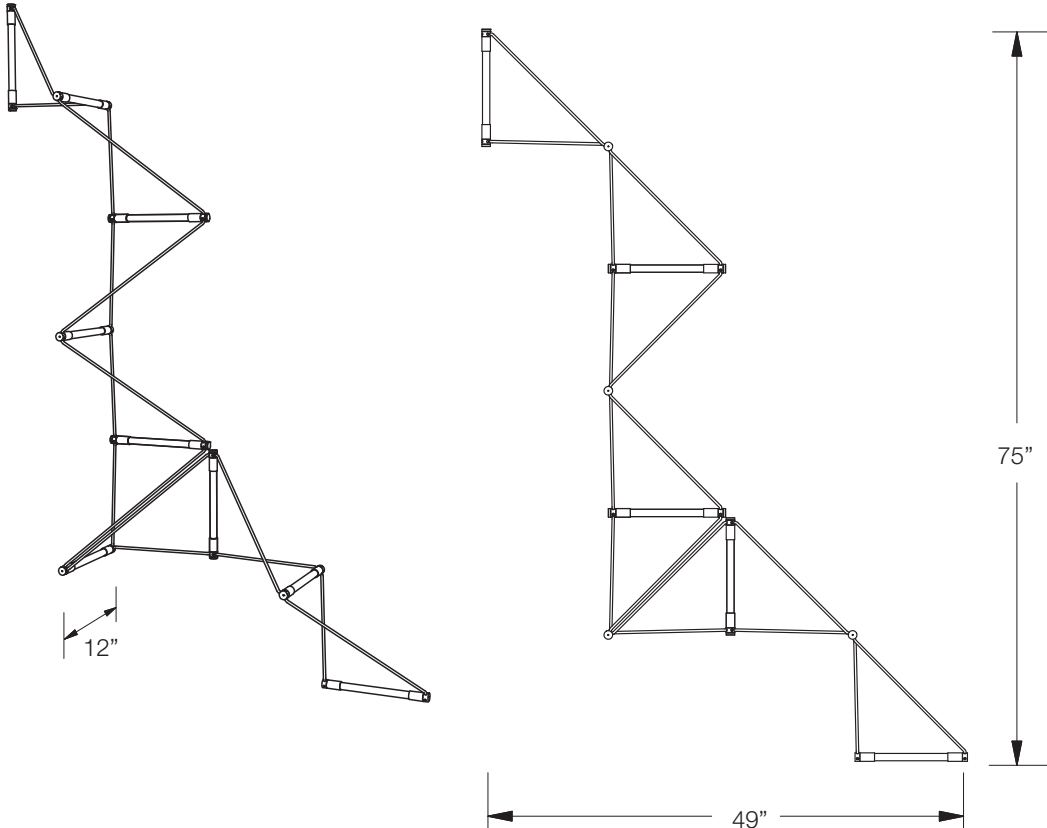
meta-9.4



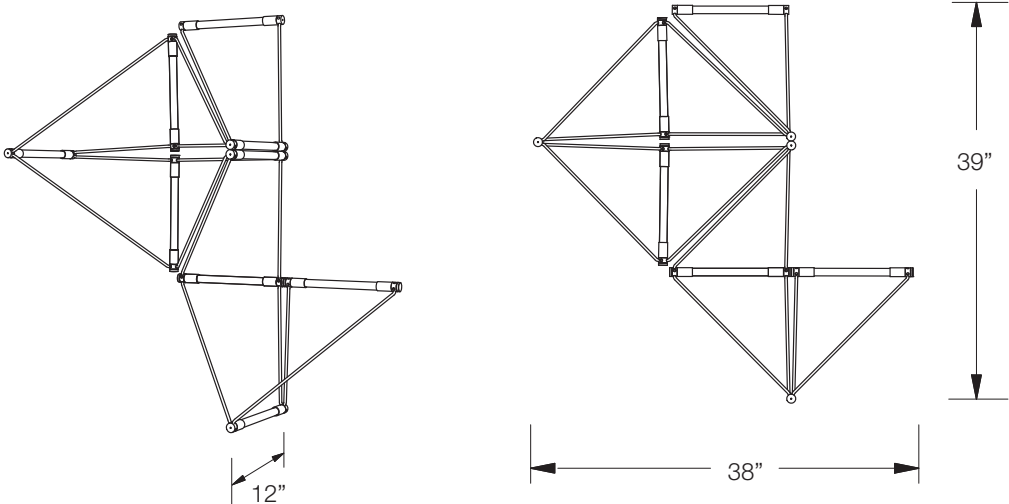
meta-9.5



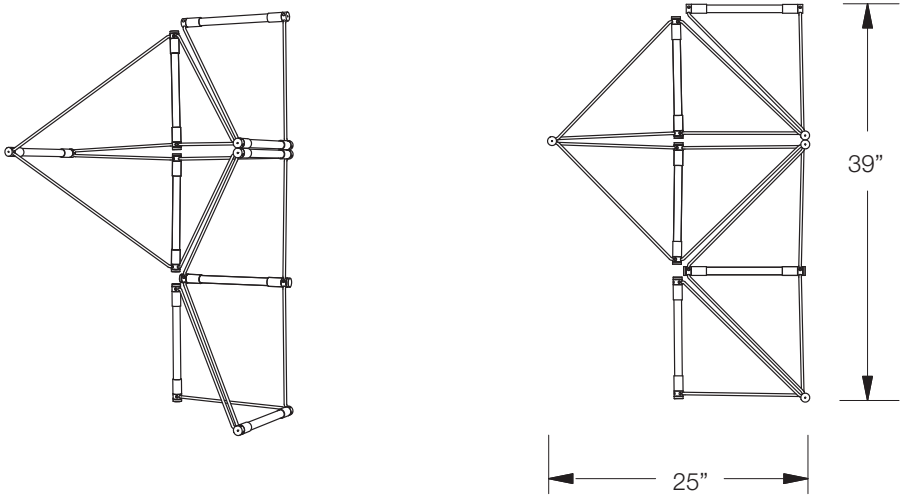
meta-9.6



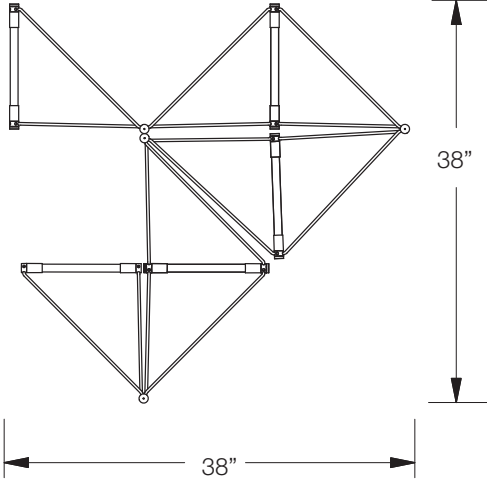
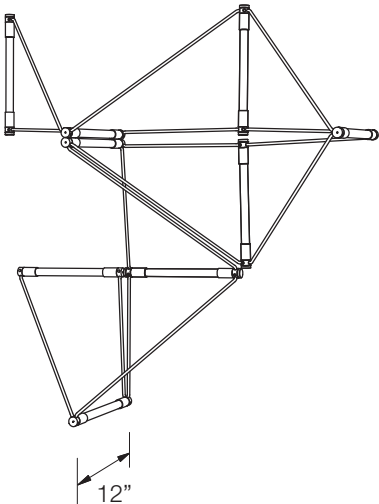
meta-9.7



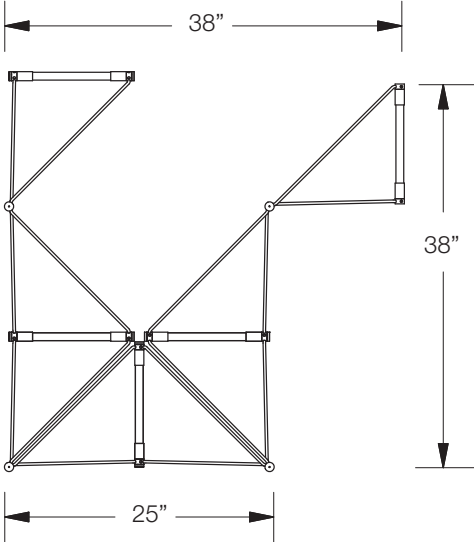
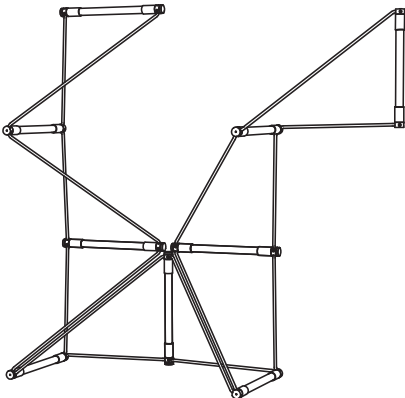
meta-9.8



meta-9.9



meta-9.10



# meta-9

**meta** is made of aluminum and comes in an anodized finish. Standard colors are shown here and others are available on request. Multiple colors on one fixture can also be done.

