

mobi



mobi is a positionable mobile of light that can be shifted like a kaleidoscope through a variety of forms, allowing for a wide range of shapes and sizes.

The fixture can be removed from its suspension points to change its shape. By loosening the locking hinges the structure moves freely to make different configurations. Once in position the hinge locks are tightened and the piece can be re-hung. The movable attachment fittings adjust easily in length and position without tools. The arrangement of the structure makes possible a doubling in size from the smallest to largest configurations, and a variety of distinct and unique geometric forms.

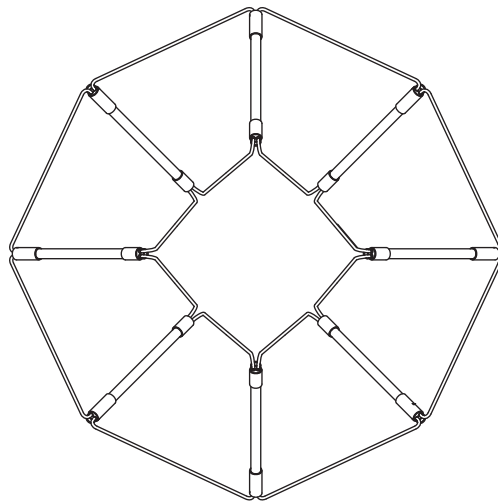
mobi is available in anodized aluminum finishes or brass and lit by (8) 9W LED lamps.

- dimensions..... a range of sizes are possible, please see the diagrams in the accompanying pages
- material..... structure of aluminum or brass with glass tubes
- finish..... anodized satin aluminum in standard or custom colors
polished brass, nickel, chrome, or copper plated
- lamping..... (8) 9w LED Bridgelux Vero, 2700K or 3000K
- power..... 120-240V electronic dimmable transformer
- suspension..... (4) aircraft cables. (5)ft of cable is stored in the movable suspension points and can be adjusted in length as necessary during positioning
- pricing..... list \$14000, net \$11200 as shown in anodized aluminum

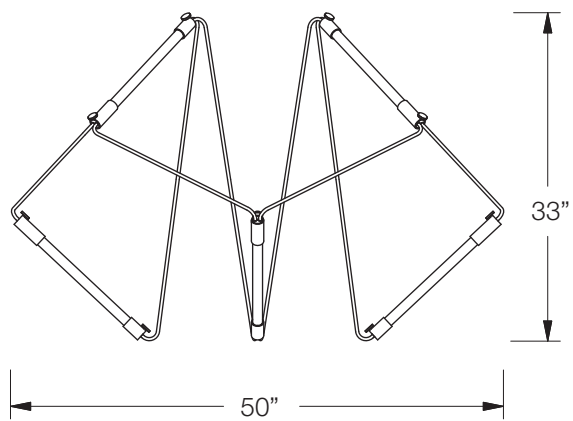
mobi can be fixed in many positions. The following pages show the dimensions of six of them in top and side view

Position 1

top

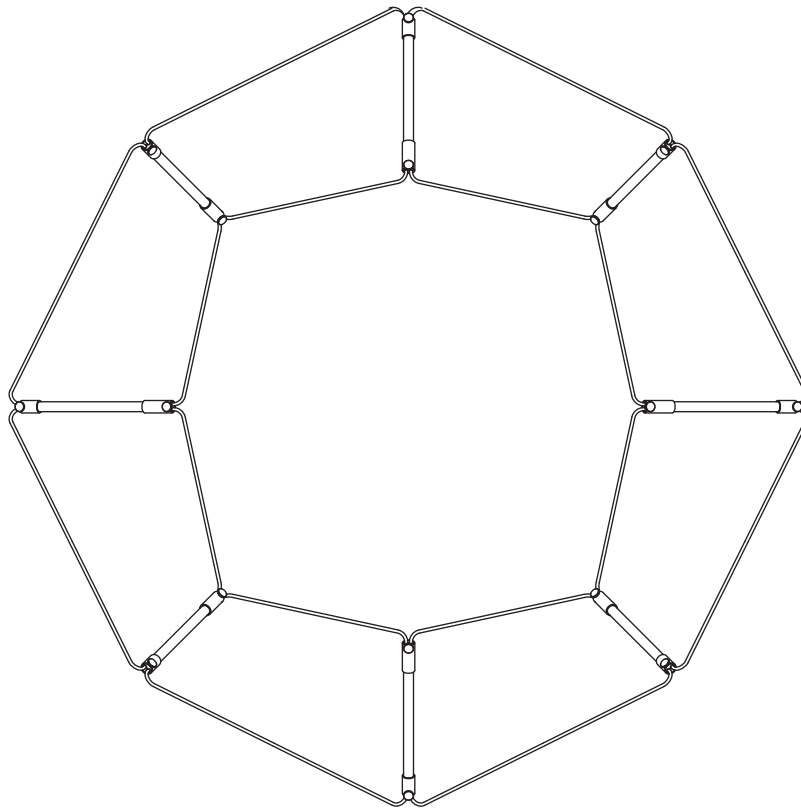


side

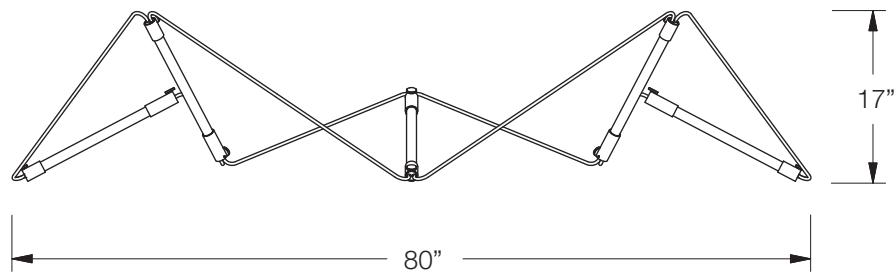


Position 2

top

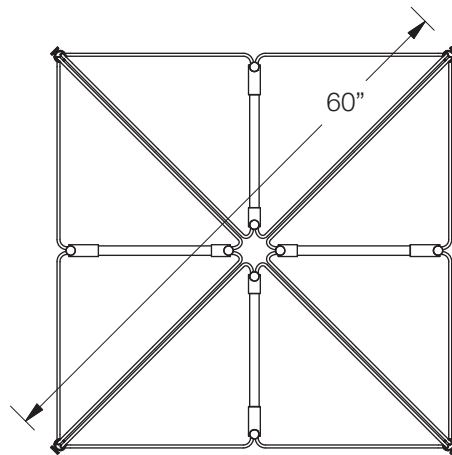


side

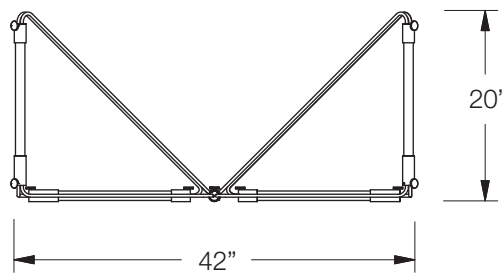


Position 3

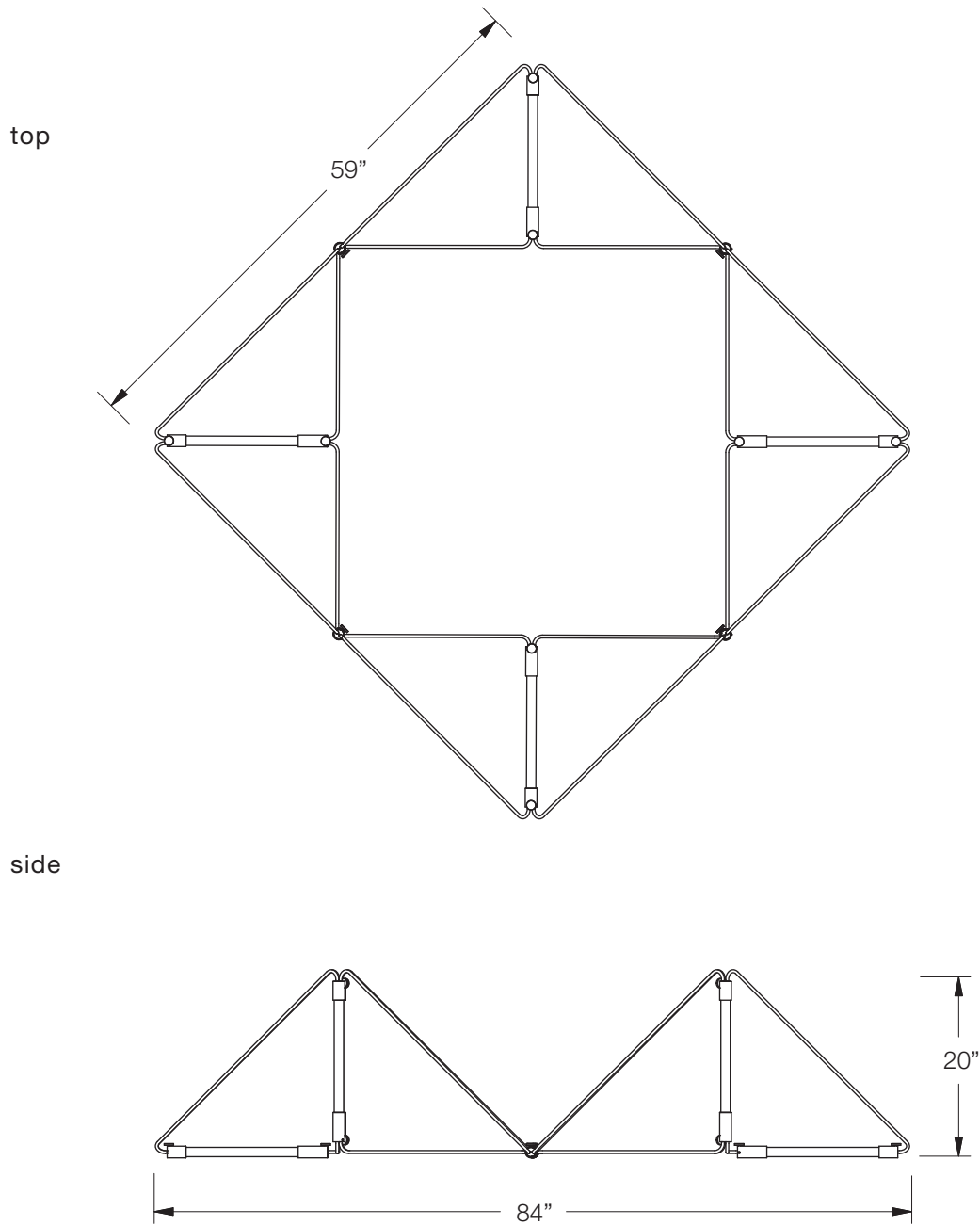
top



side

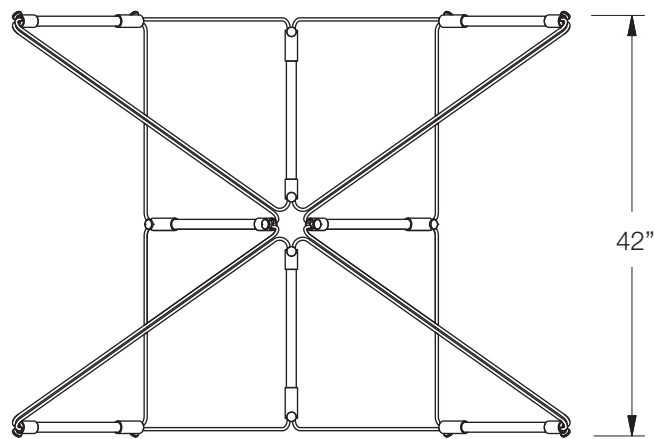


Position 4

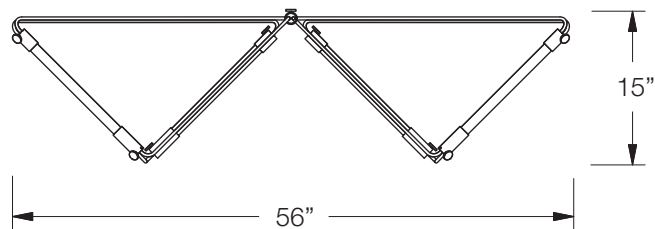


Position 5

top

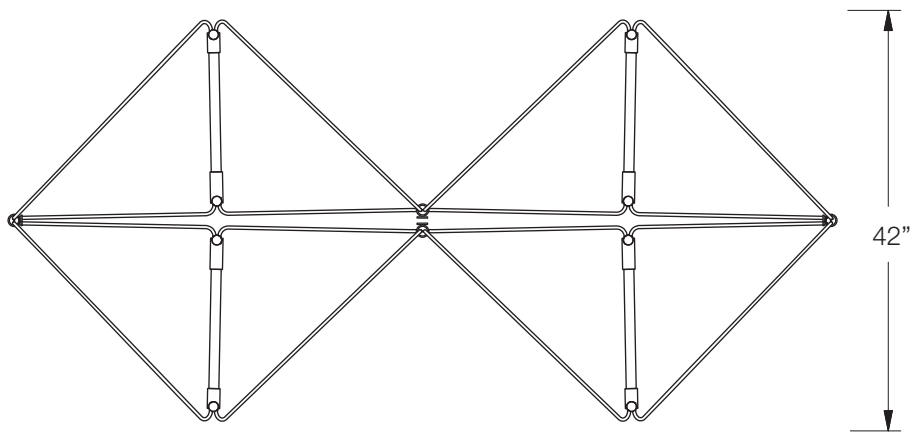


side

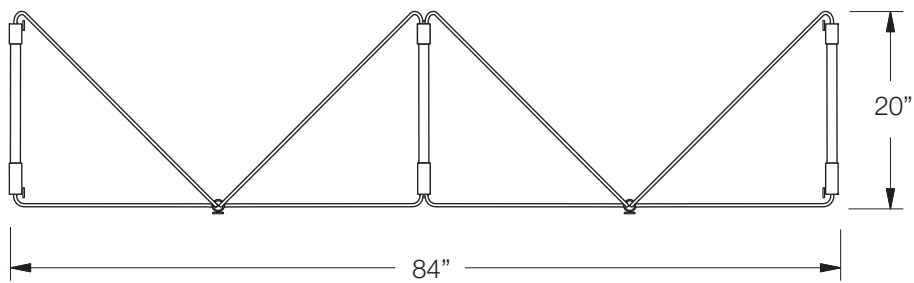


Position 6

top



side



mobi

mobi is made of aluminum and typically finished by anodizing.
Standard colors are shown here and custom colors can be accommodated.
Multiple colors on one fixture can be specified.
Alternative finishes such as plating, as well as construction in solid brass are also available.

