


disco



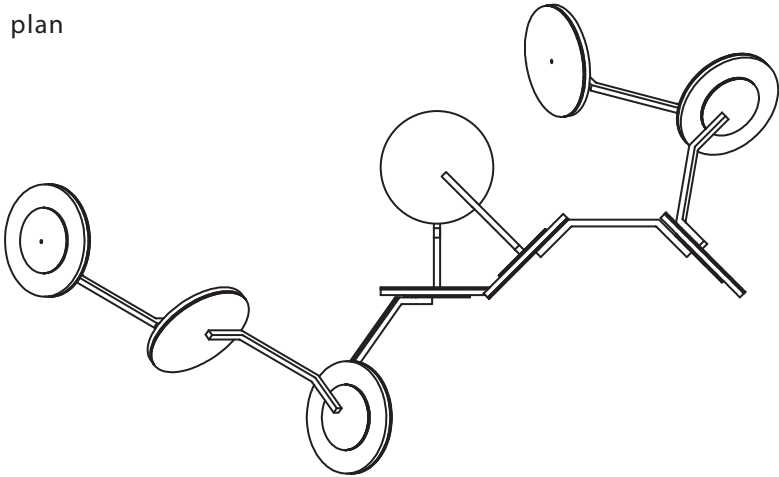
disco is a chandelier with softly glowing rings of light. The discs are linked to one another by angled arms. We can move the arms through 360 degrees of rotation to create different configurations of the parts.

- dimensions..... A range of sizes are possible, dimensions for various configurations are on following pages.
- material..... Structure of aluminum with frosted acrylic diffusion discs.
- finish..... Satin or brushed anodized aluminum in standard colors of black, bronze, brass or silver. custom anodized colors are also available.
- lamping..... (9) 9w Cree CoB LEDs at 2700K or 3000K color temperature.
- power..... 120V-277V electronic transformer, 0-10v dimming to 0.1%.
- mounting..... disco is suspended from an anodized aluminum stem. The stem hangs from a canopy that houses the power supply.
- weight..... 26 lbs
- certification..... 

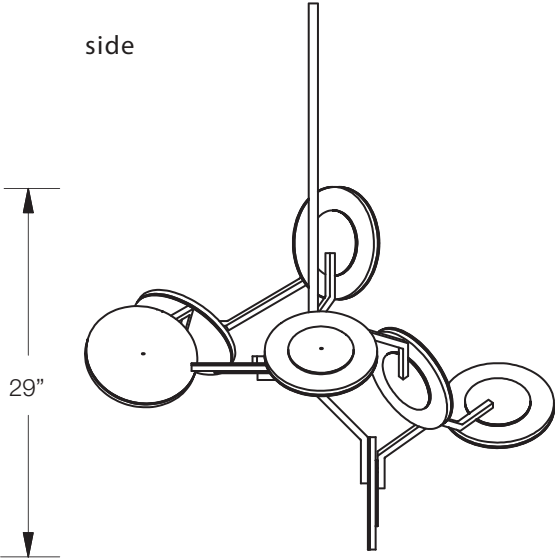
disco can be built in a range of configurations. The following sheets give numbered examples for reference. Variations of all are possible. CAD files for these configurations are available on request.

disco-9.1

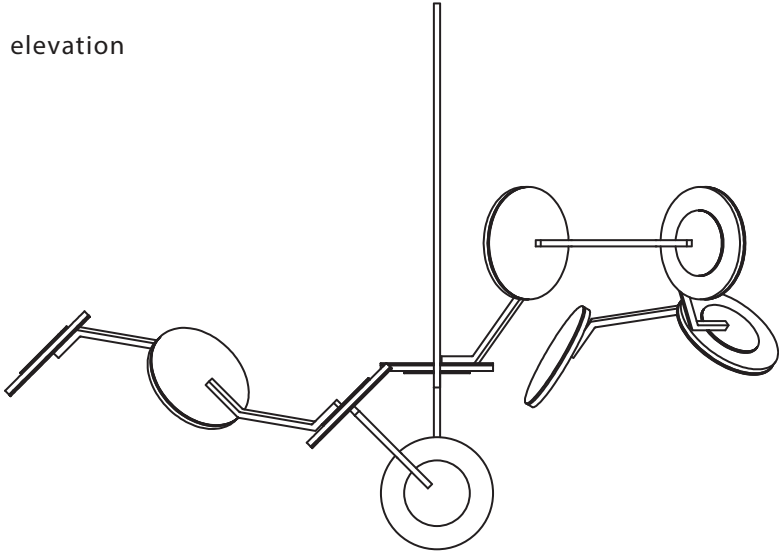
plan



side

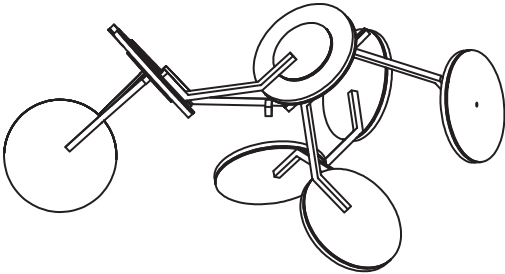


elevation

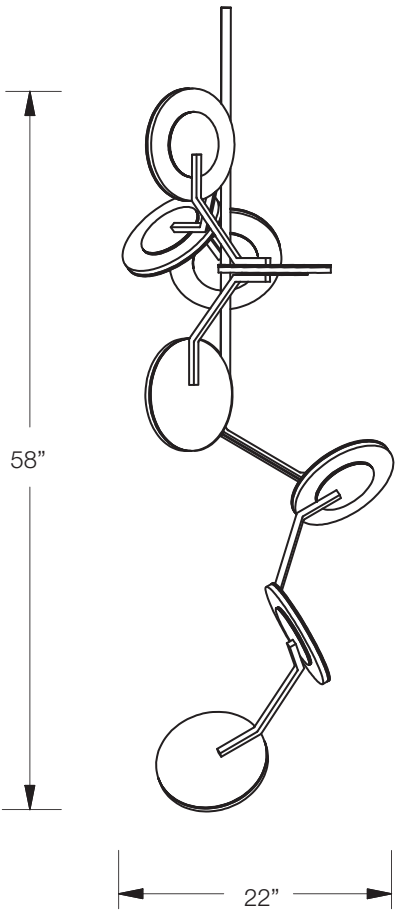


disco-9.2

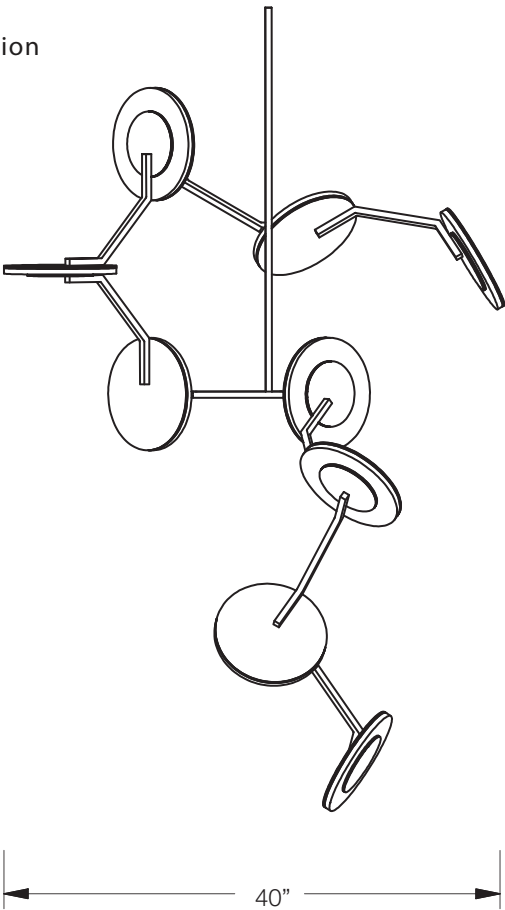
plan



side

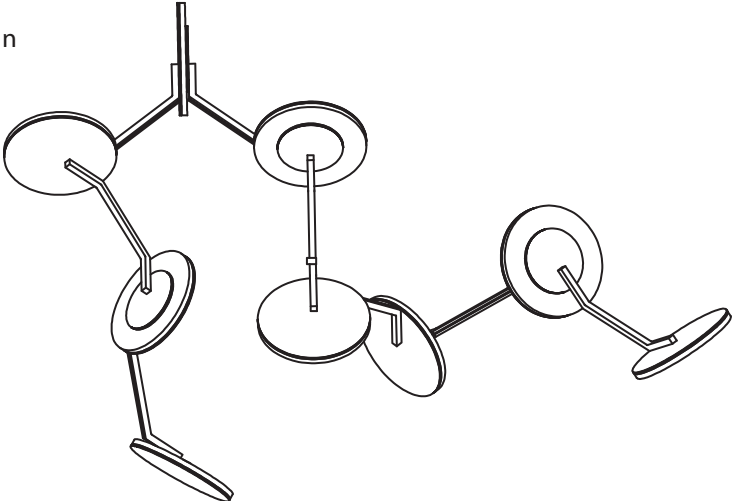


elevation



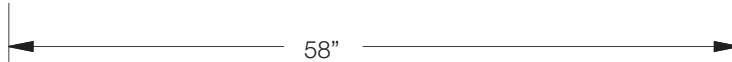
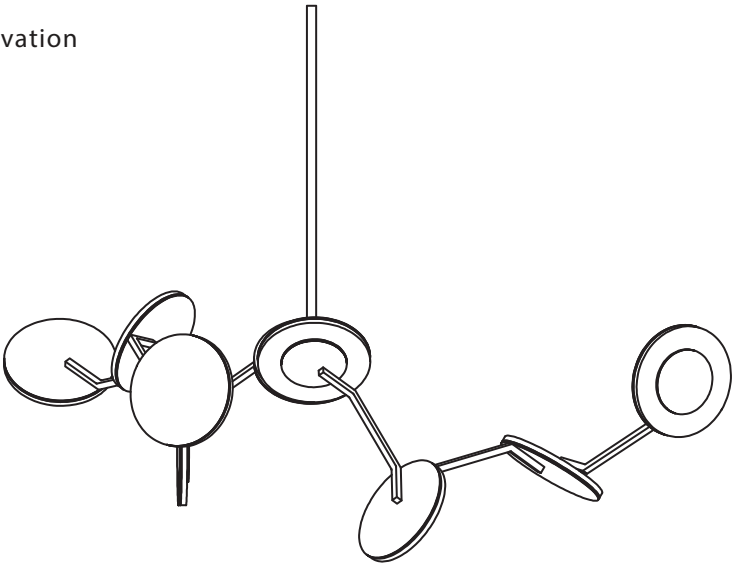
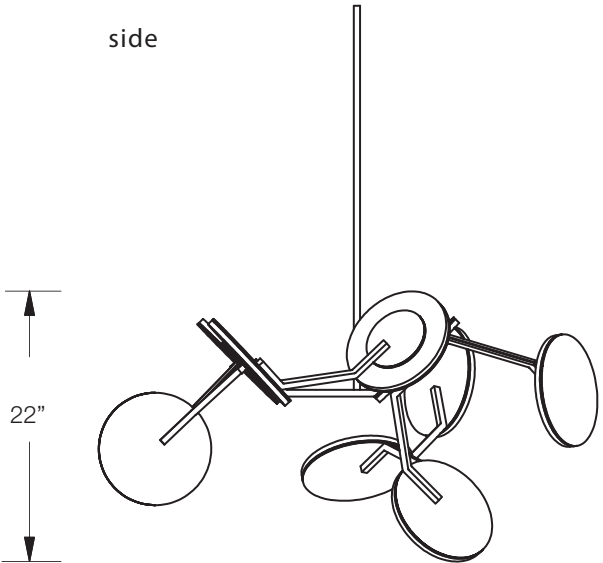
disco-9.3

plan



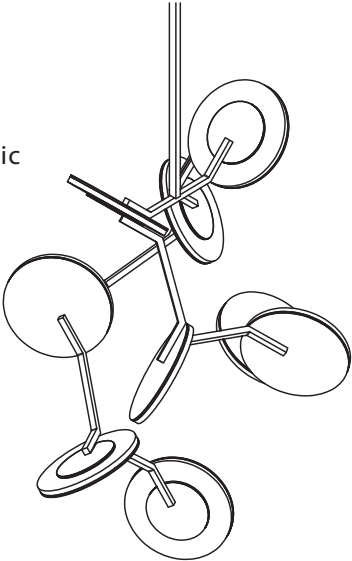
side

elevation

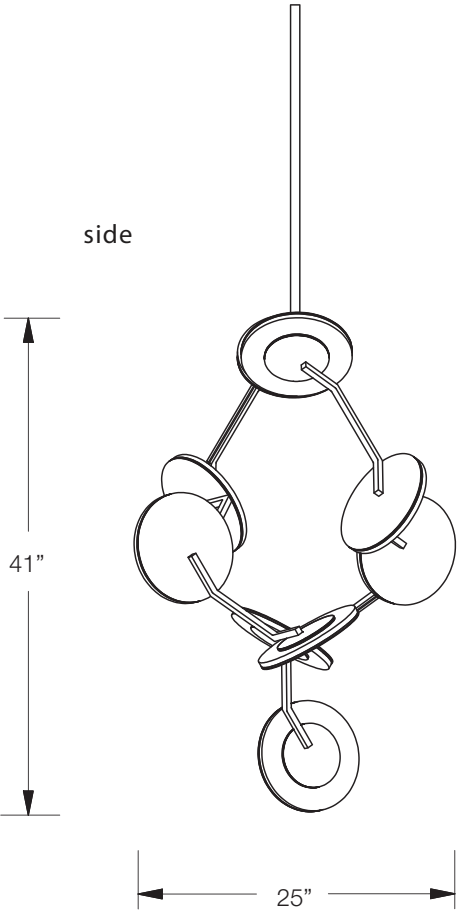


disco-9.4

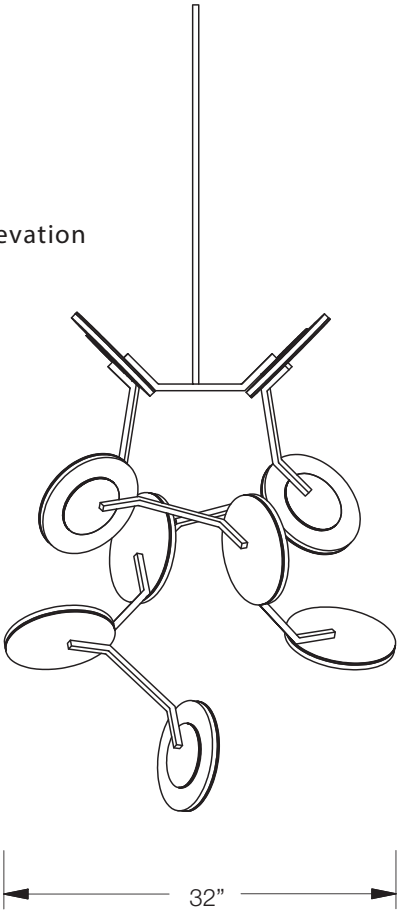
isometric



side

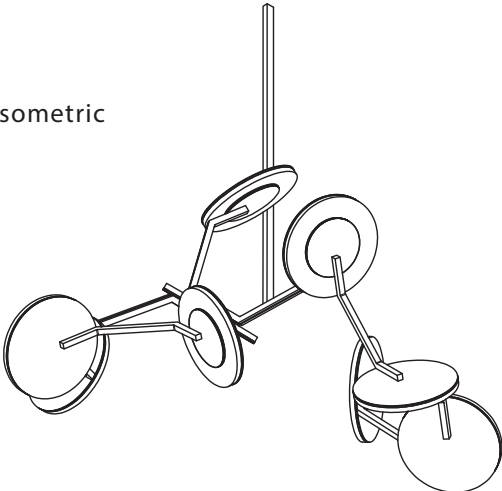


elevation

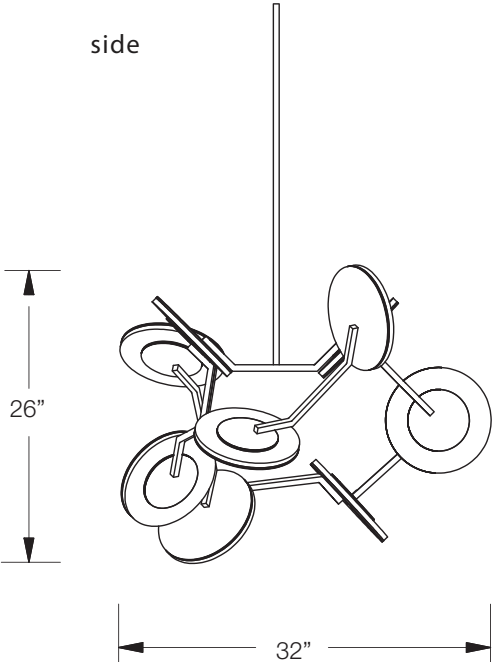


disco-9.5

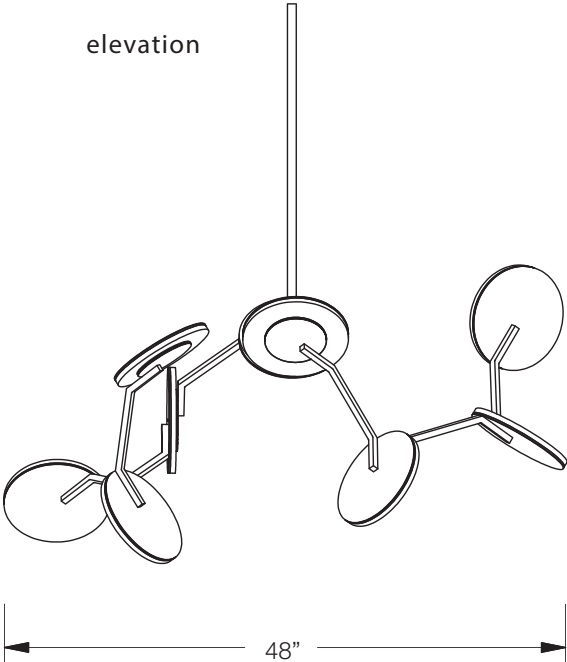
isometric



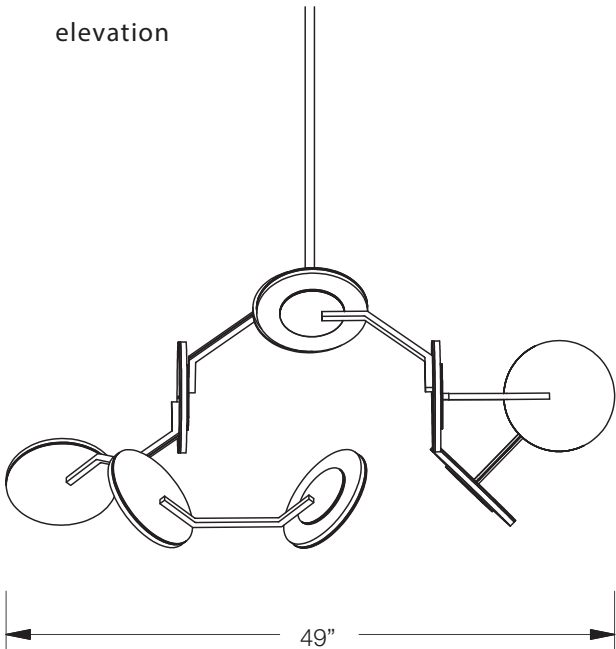
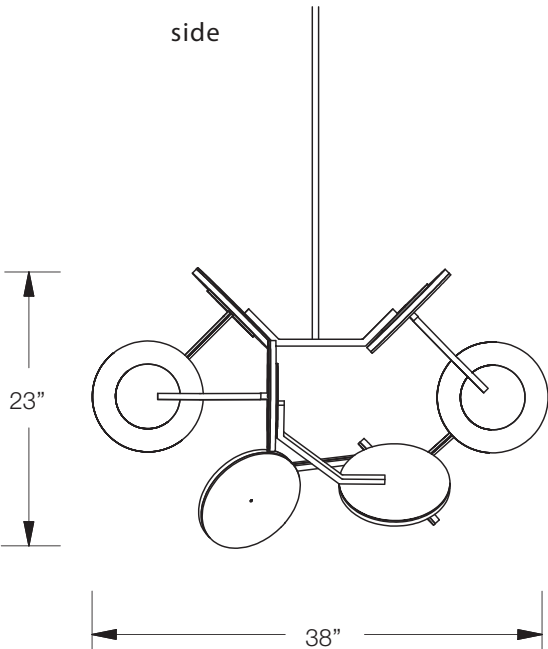
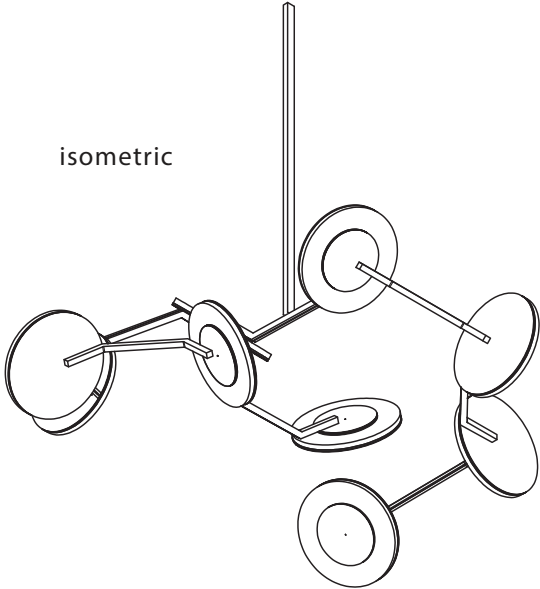
side



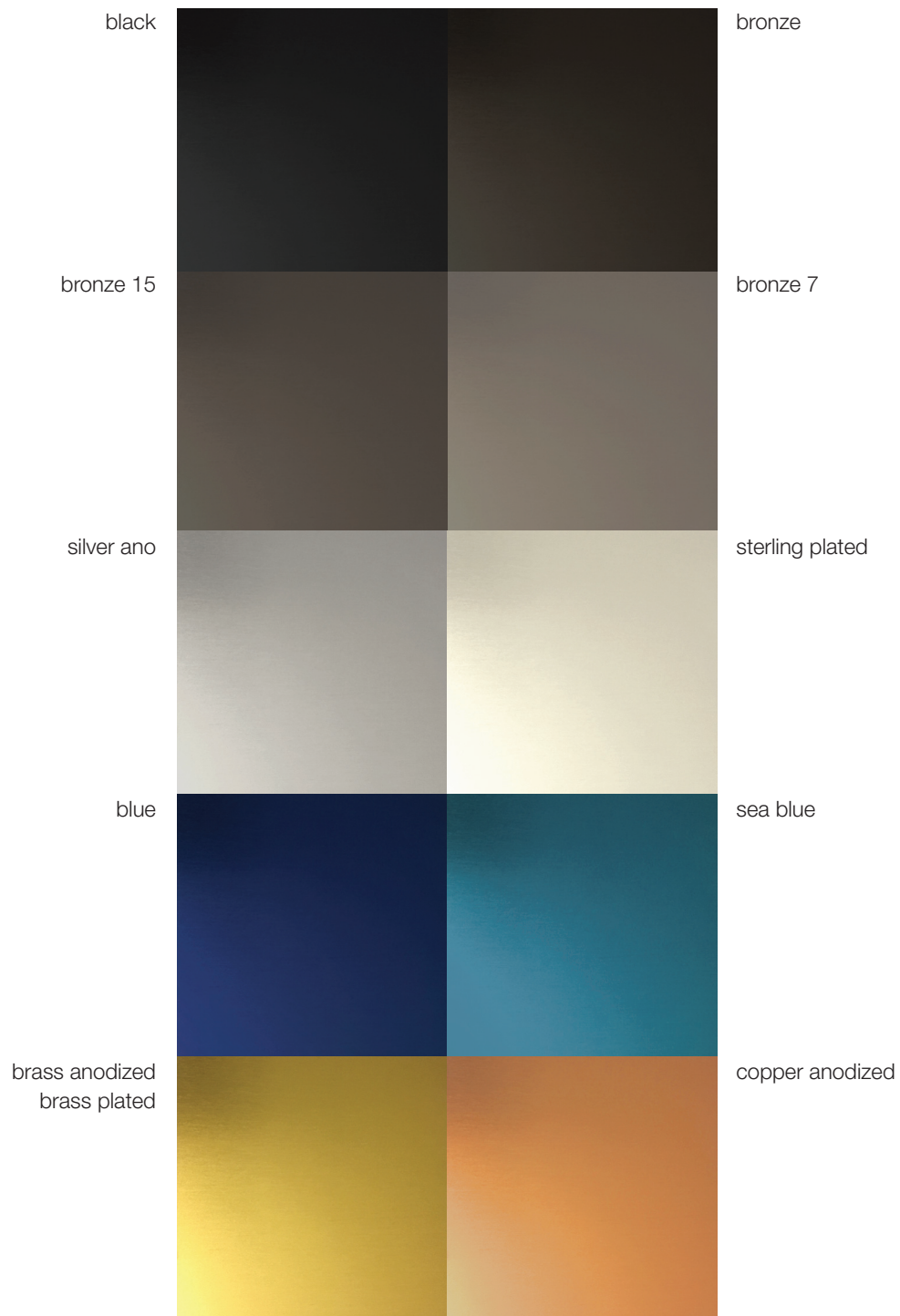
elevation



disco-9.6



metal finishes



standard canopy
with enclosed driver

