

# disco



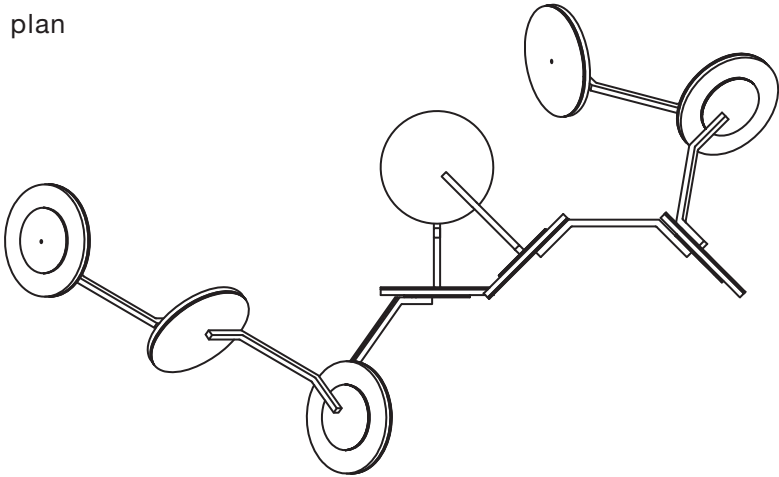
**disco** is a chandelier with softly glowing rings of light. The discs are linked to one another by angled arms. We can move the arms through 360 degrees of rotation to create different configurations of the parts.

- dimensions..... a range of sizes are possible, dimensions for various configurations are on following pages.
- material..... structure of aluminum with frosted acrylic diffusion discs.
- finish..... satin or brushed anodized aluminum in standard colors of black, bronze, brass or silver. custom anodized colors are also available.
- lamping..... (9) 9w Bridgelux CoB chips, 1000 lumens each (before diffusion), 2700K or 3000K color temperature.
- power..... 120-240V electronic dimmable transformer. power to fixture is by low voltage cable. power supply is remote and housed in the canopy box.
- mounting..... disco is suspended from an anodized aluminum stem. The stem is field adjustable and hangs from a canopy that houses the power supply.
- weight..... 26 lbs
- pricing..... list \$14000, net \$11200 as shown.

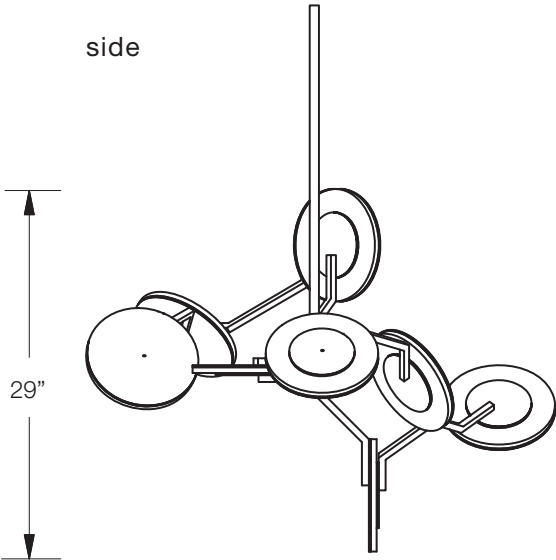
**disco** can be built in a range of configurations. The following sheets give numbered examples for reference. Variations of all are possible. CAD files for these configurations are available on request.

disco-9.1

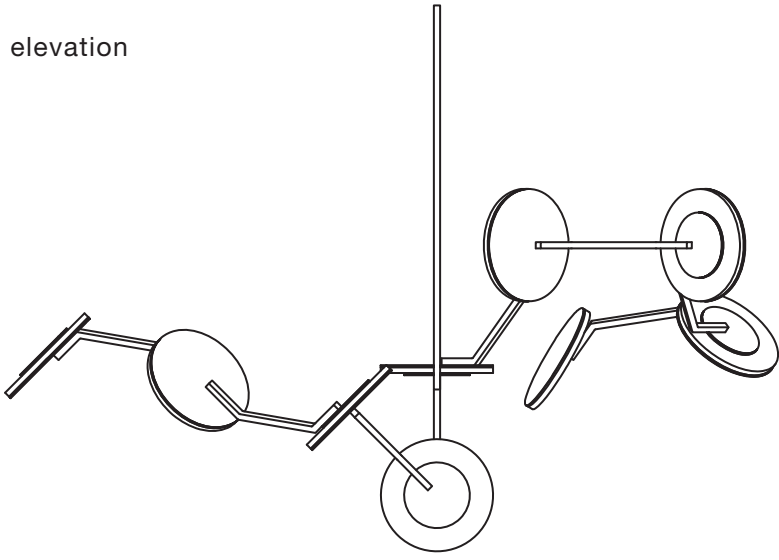
plan



side

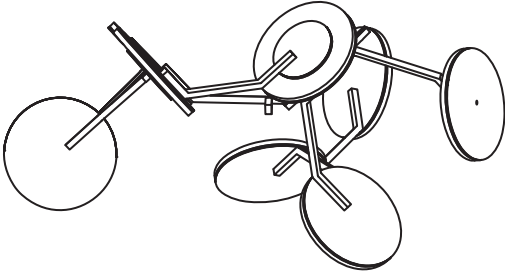


elevation

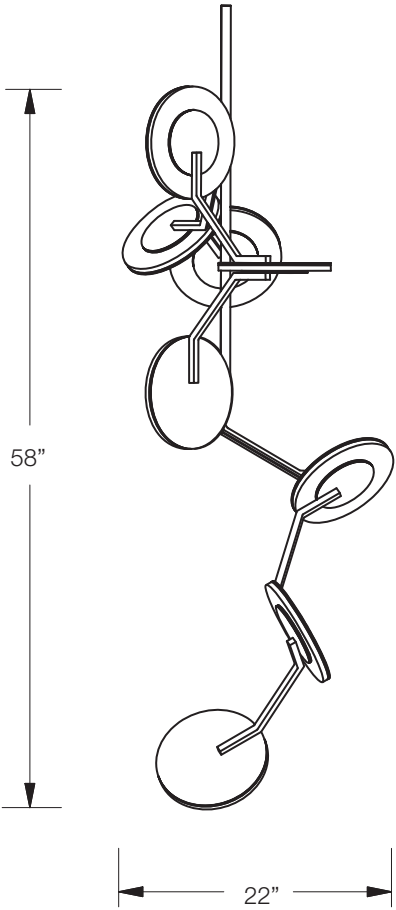


disco-9.2

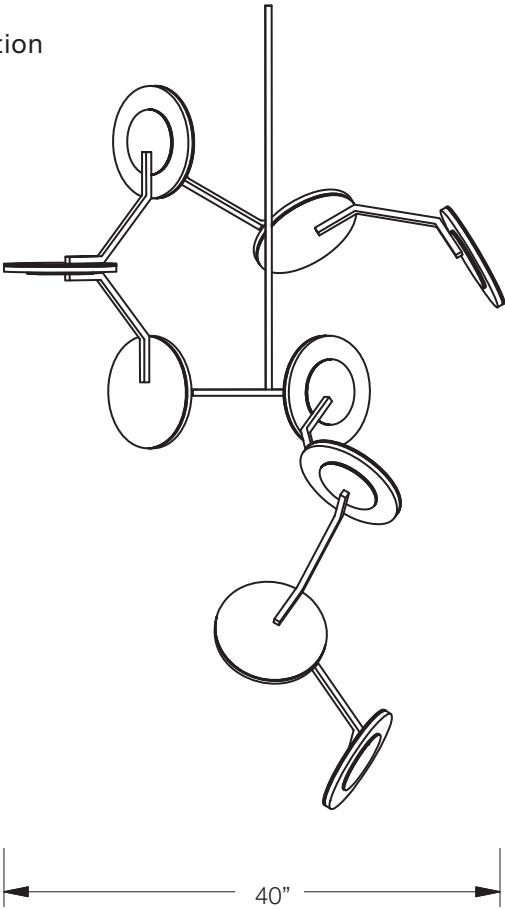
plan



side

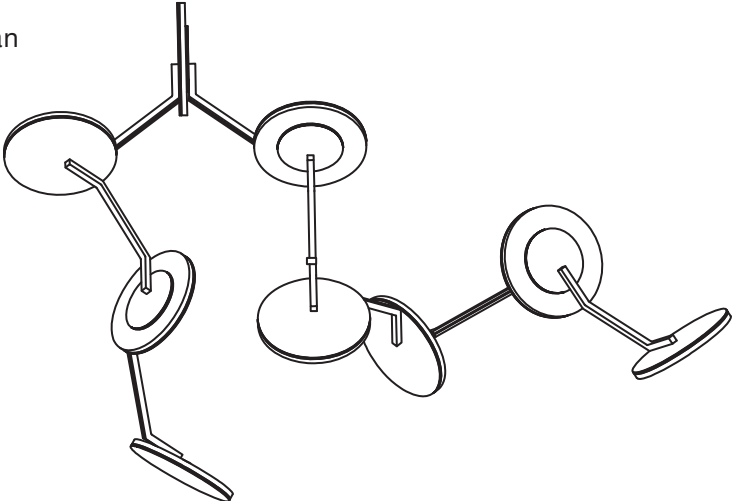


elevation



disco-9.3

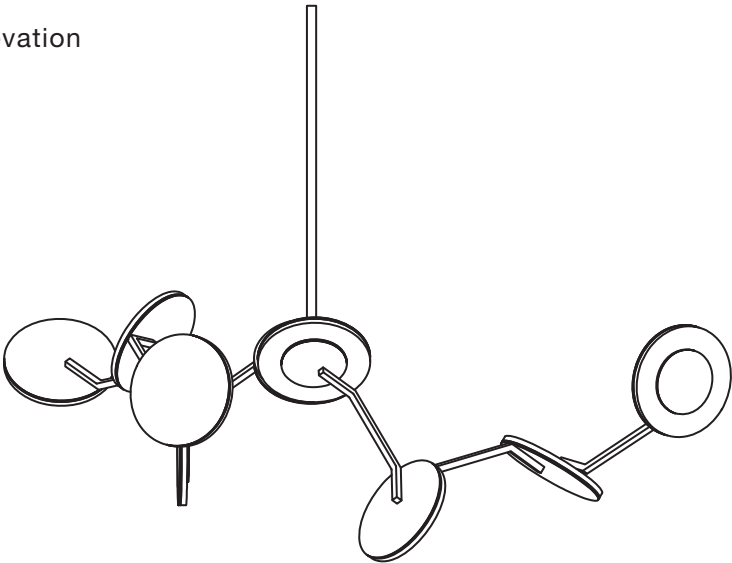
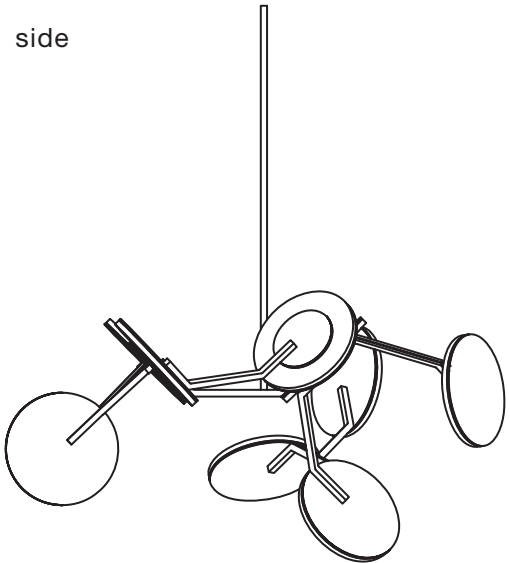
plan



side

elevation

22"

 A vertical dimension line with arrows at both ends, indicating a height of 22 inches.


40"

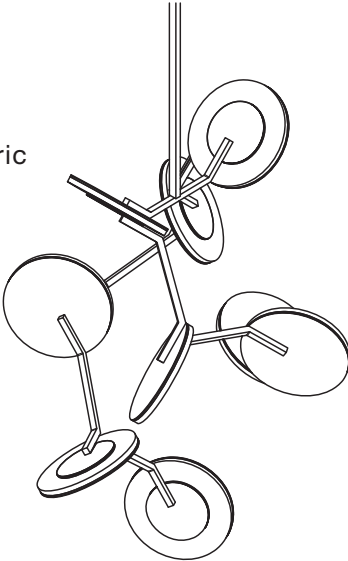
 A horizontal dimension line with arrows at both ends, indicating a width of 40 inches.

58"

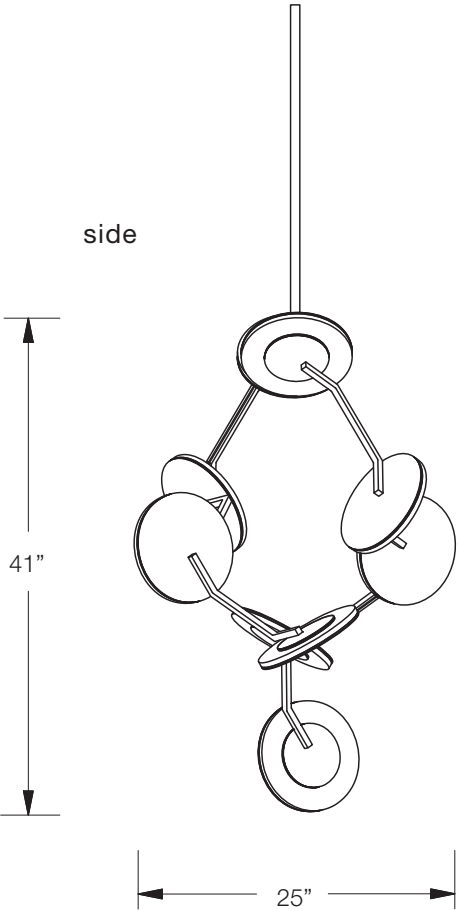
 A horizontal dimension line with arrows at both ends, indicating a width of 58 inches.

disco-9.4

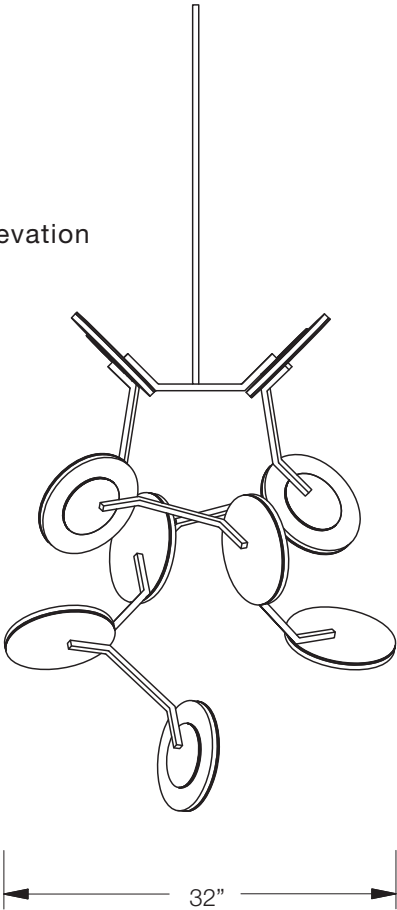
isometric



side

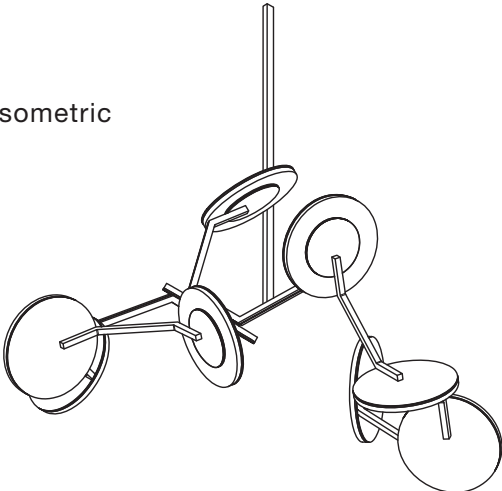


elevation

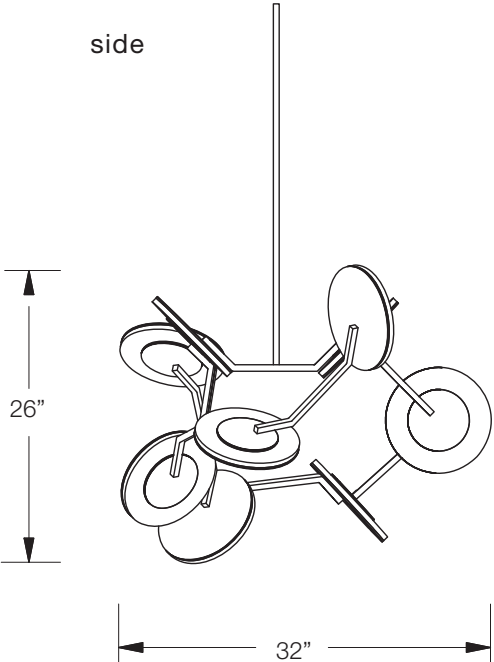


disco-9.5

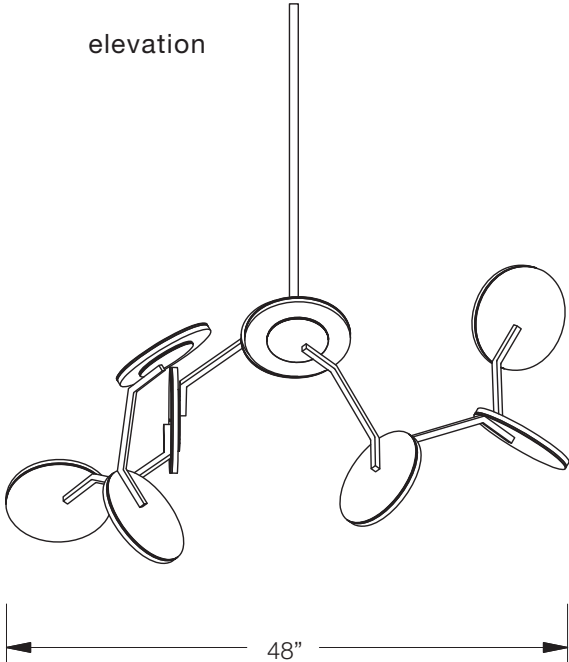
isometric



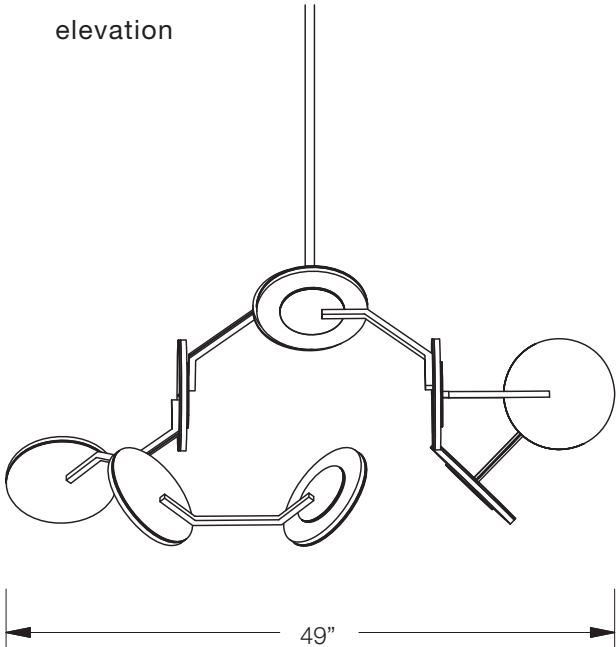
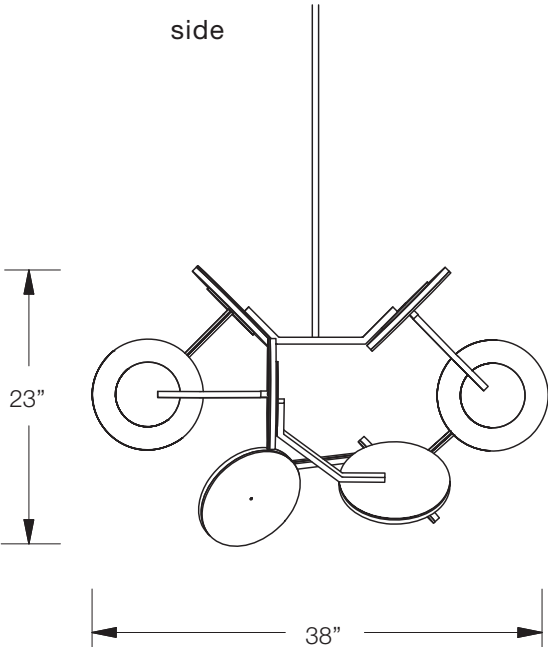
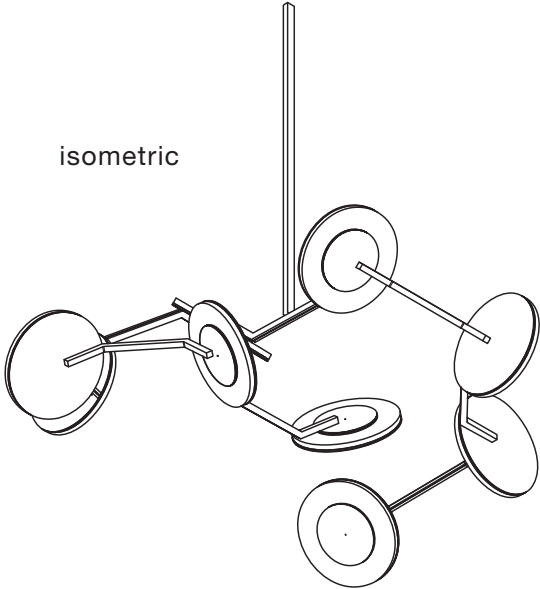
side



elevation



disco-9.6



# disco

**disco** is made of aluminum and comes in an anodized finish. Standard colors are shown here and others are available on request. Multiple colors on one fixture can also be provided.

