

# kite-9



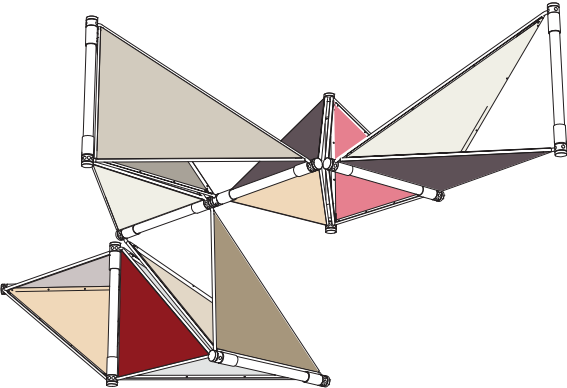
**kite** is the third piece in our series of tetrahedron based lighting structures. Sharing the same aluminum frame as meta, the planar fabric surfaces of kite offer a wide range of choices in color and transparency. This piece can take on many forms by virtue of the joining mechanism at the tube ends.

- dimensions..... a range of sizes are possible, dimensions for various configurations are on following pages.
- material..... structure of aluminum with frosted glass diffusion tubes and fabric panels.
- finish..... satin or brushed anodized aluminum in standard colors of black, bronze, brass or silver. custom anodized colors are also available.
- lamping..... (9) 4w Cree CoB chip at 2700K or 3000K color temperature, 80 or 90 CRI.
- power..... 120-240V electronic dimmable transformer. power to fixture is by low voltage cable. power supply is enclosed in the canopy.
- mounting..... adjustable aircraft cable suspension.

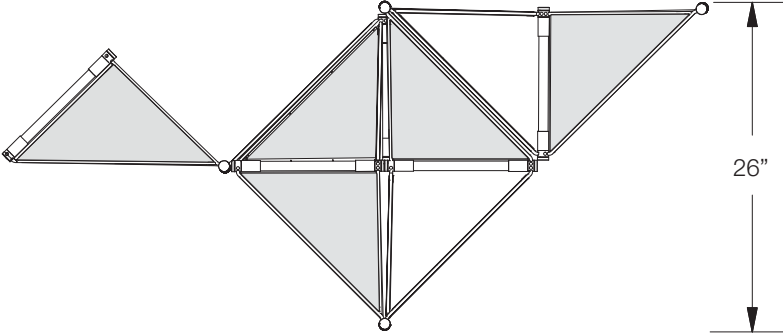
kite can be fixed in many configurations. The following sheets give numbered examples for reference and clarity in instances where installation is by contractor. We will ship in a partially assembled state to eliminate confusion on site. All lite fixtures can be assembled in any of the configurations shown as well as others not illustrated. "Up" orientation can be in any direction.

kite-9.1

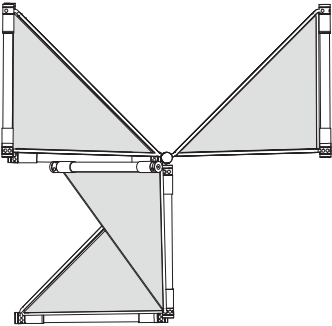
perspective



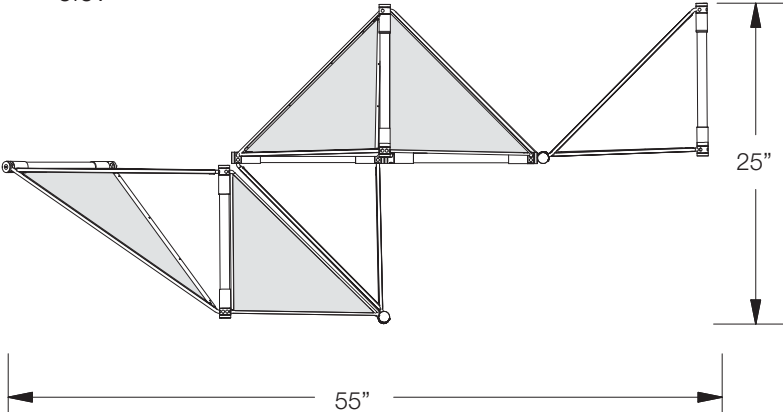
plan



end

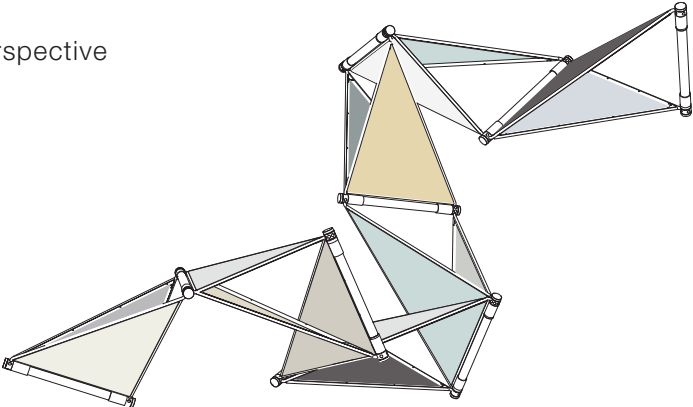


elev

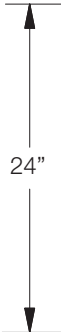
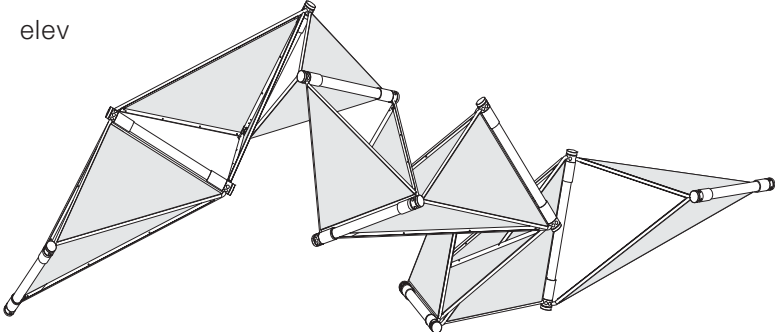


kite-9.2

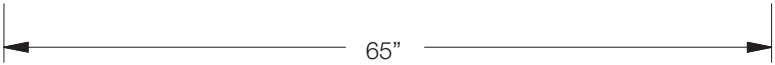
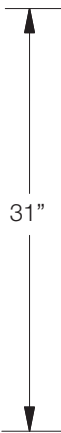
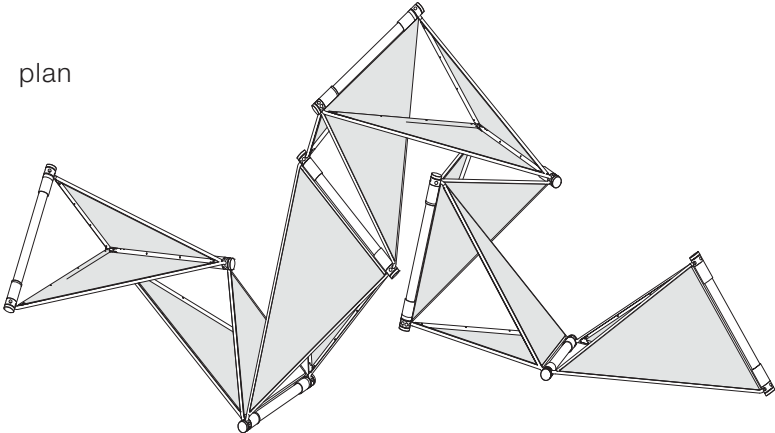
perspective



elev

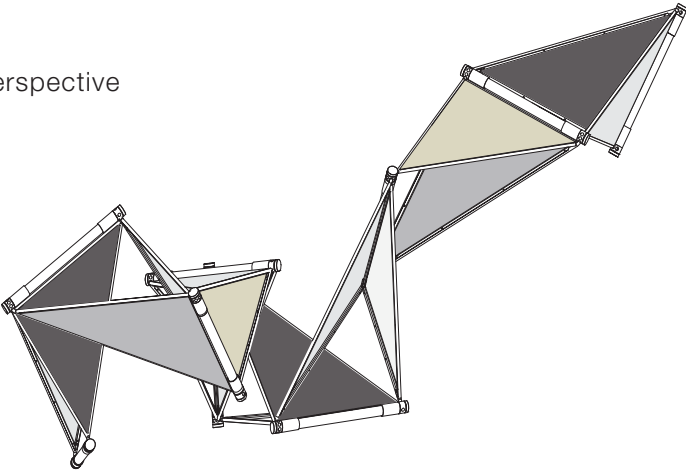


plan

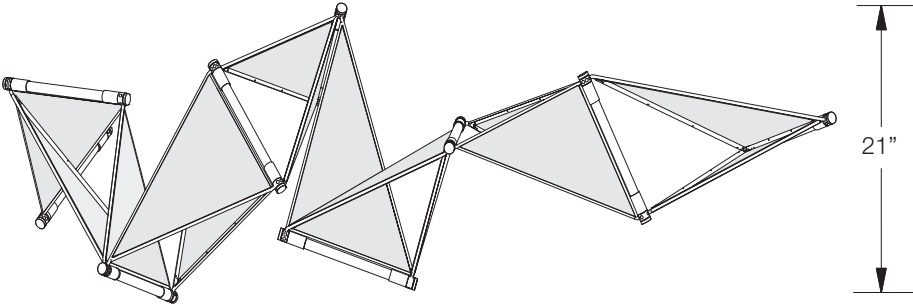


kite-9.3

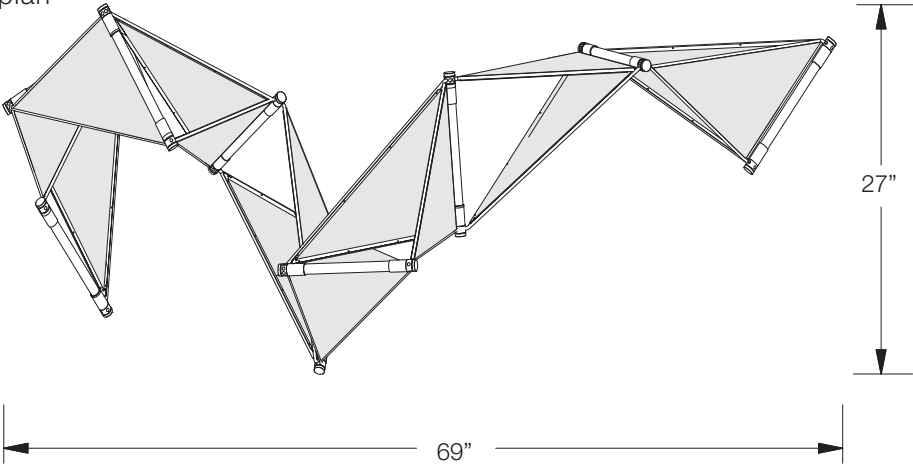
perspective



elev

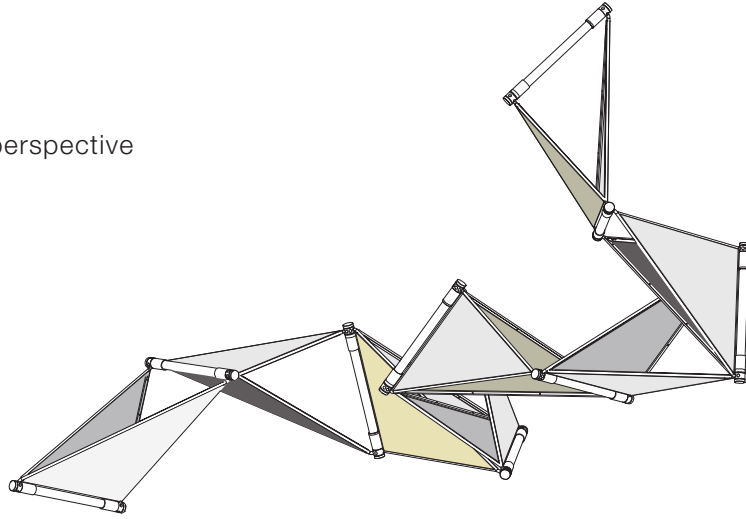


plan

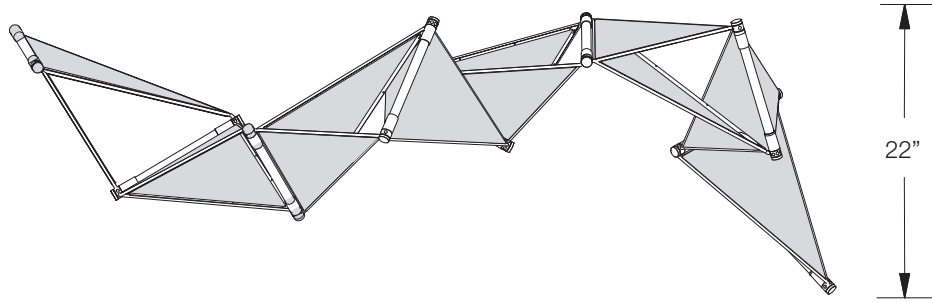


kite-9.4

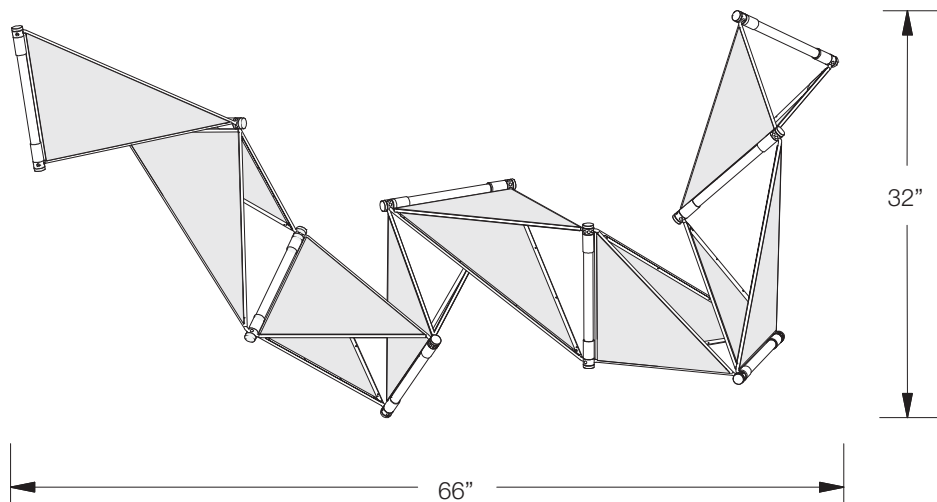
perspective



elev

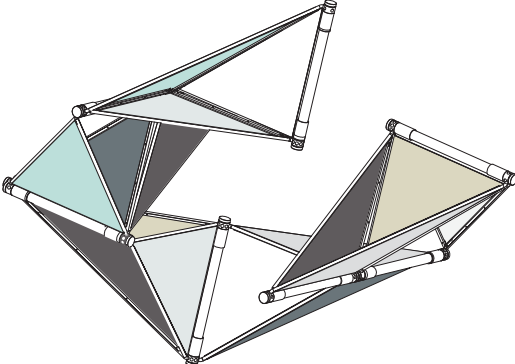


plan

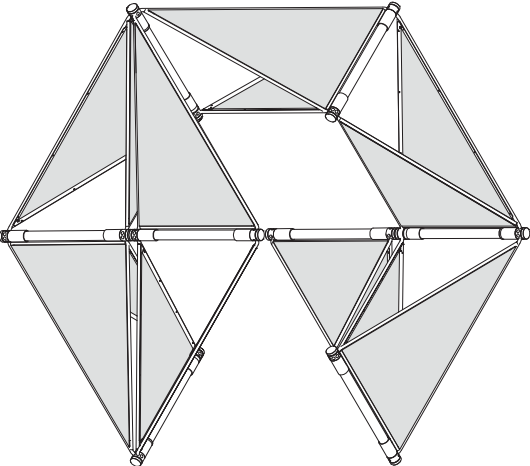


kite-9.5

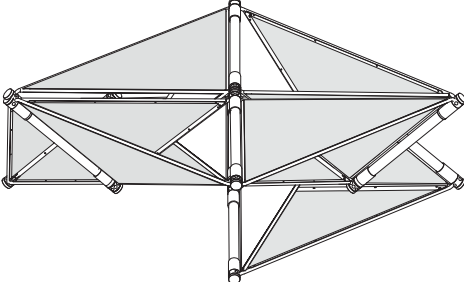
perspective



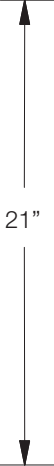
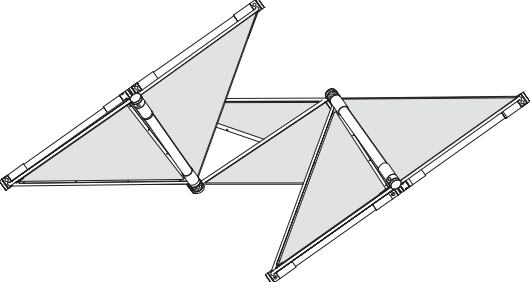
plan



end

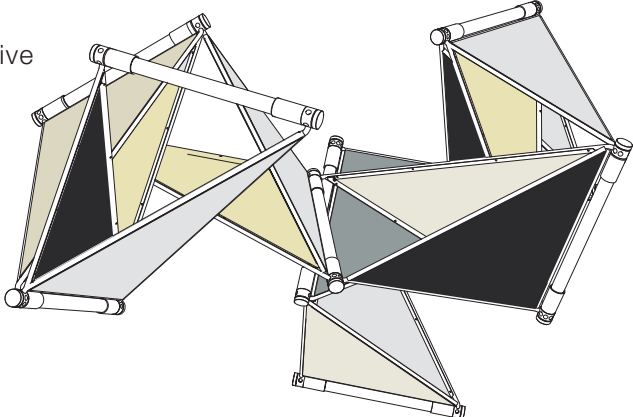


elev

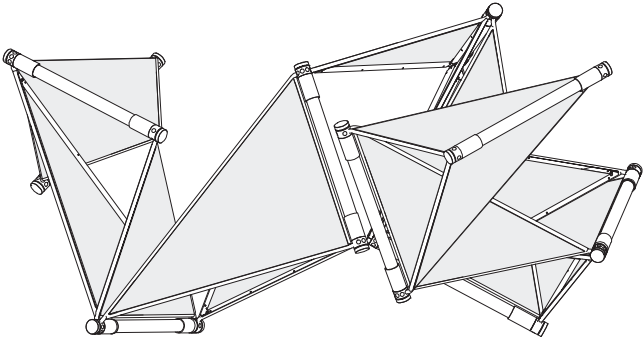


kite-9.6

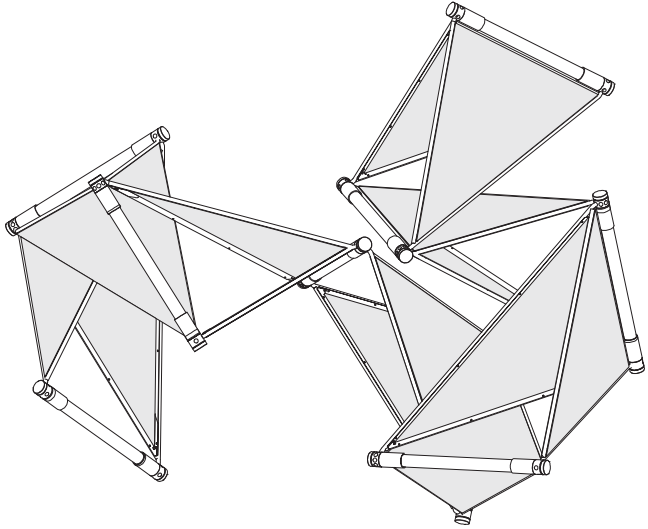
perspective



elev

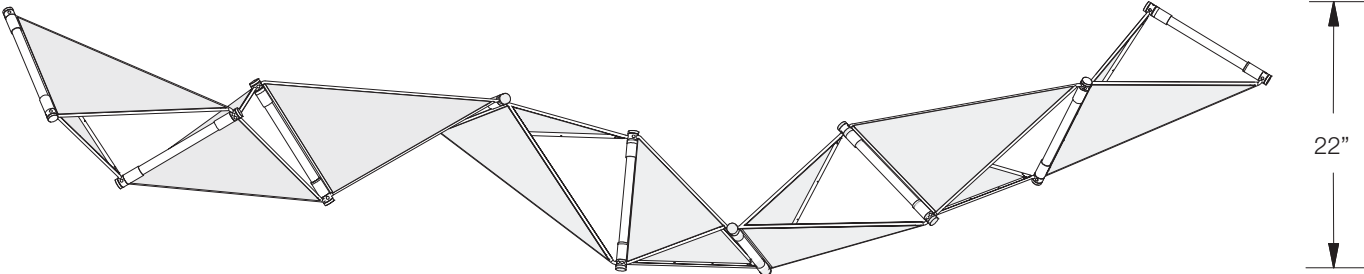


plan

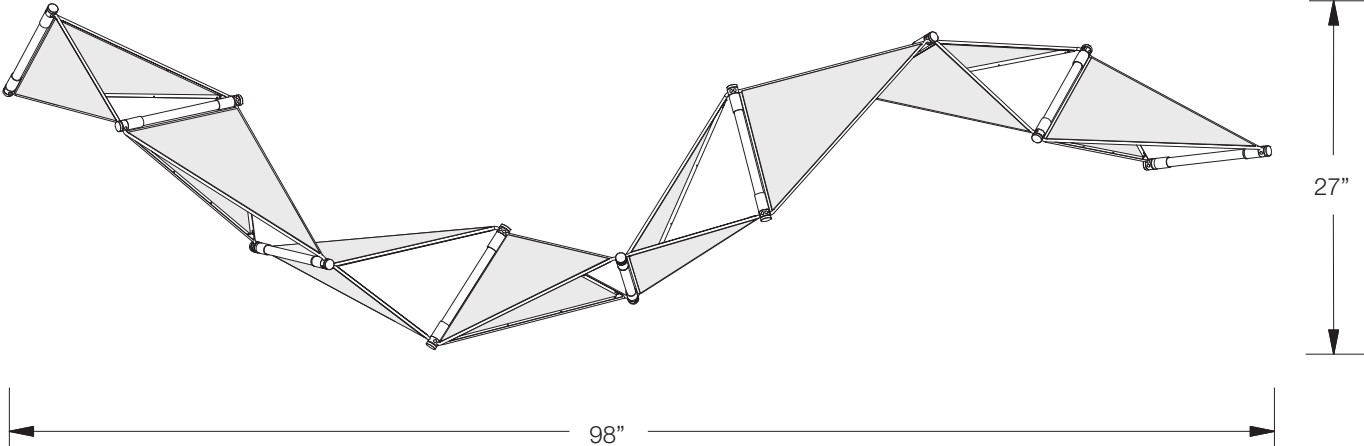


kite-9.7

elev



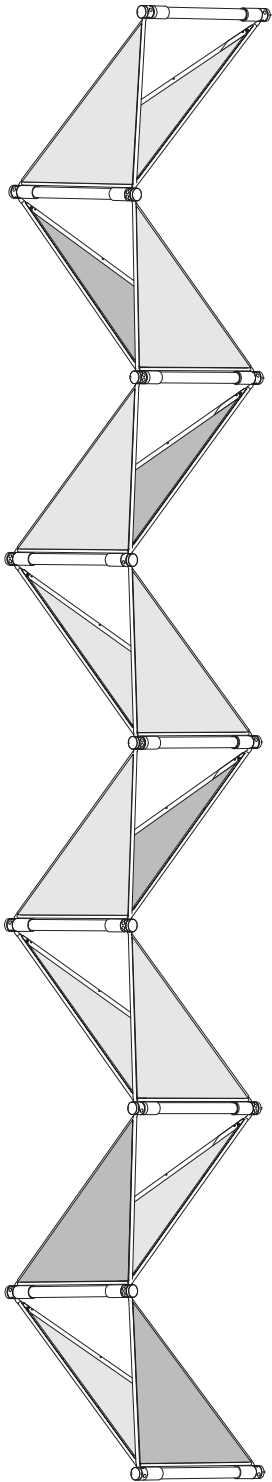
plan





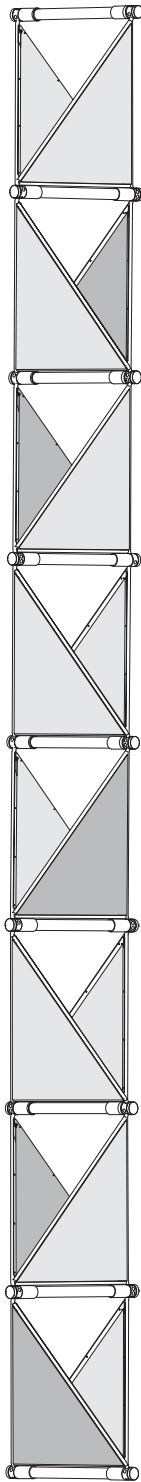
kite-9.8

elev



18"

side



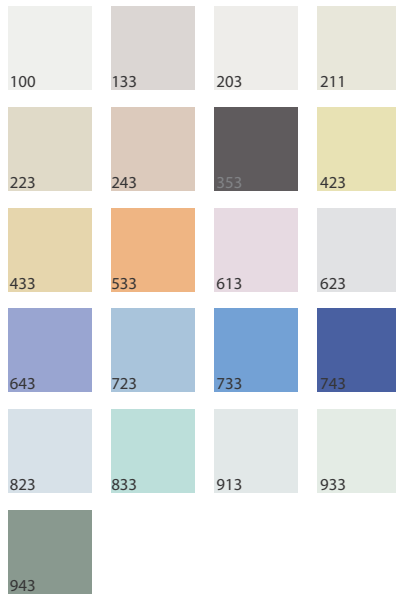
9.5"



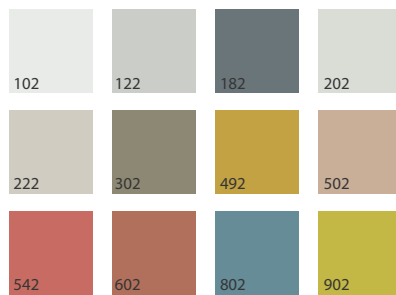
The fabrics used on the surfaces of kite are from Maharam - [www.maharam.com](http://www.maharam.com). We use four lines; Air, Noon, Fillippa and Campas, shown below. All samples can be seen in finer detail on their website.

Air and Noon are sheer fabrics while the Fillippa is more dense and Campas most dense.

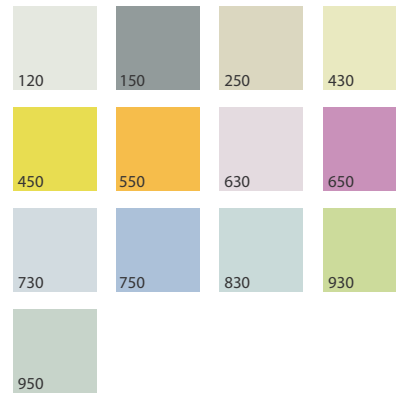
air



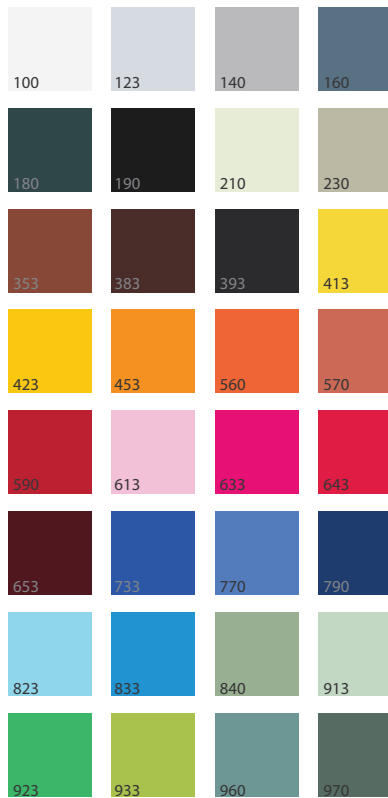
noon



fillippa



campas



# kite-9

kite is made of aluminum and comes in an anodized finish.  
Standard colors are shown here and others are available on request  
Multiple colors on one fixture can also be done.

